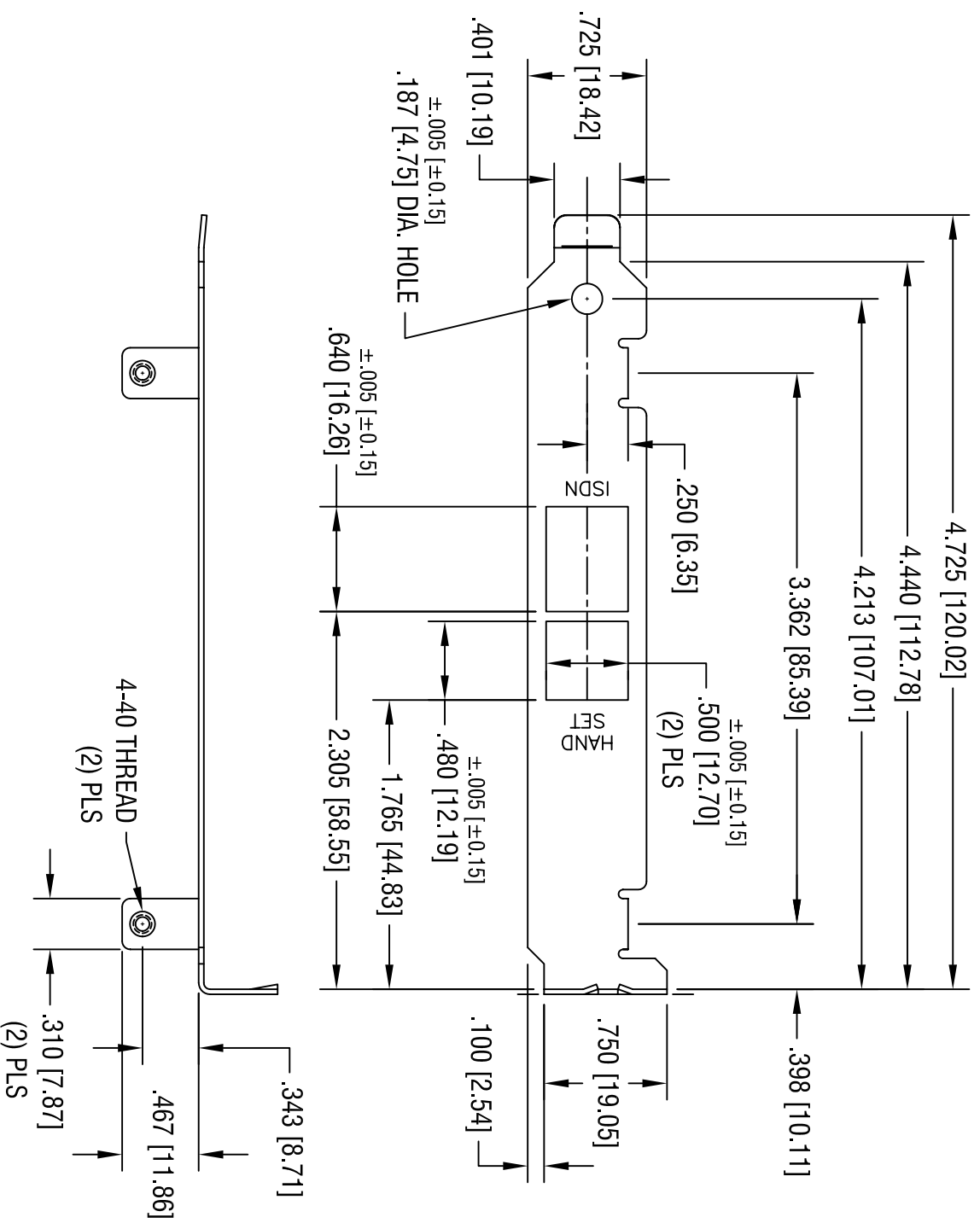


DATE	DESCRIPTION	REV.



THIS DOCUMENT IS THE PROPERTY OF KEYSTONE ELECTRONICS CORP. AND SHALL NOT BE REPRODUCED, DISTRIBUTED OR USED AS A BASIS FOR MANUFACTURE WITHOUT PRIOR WRITTEN PERMISSION FROM KEYSTONE ELECTRONICS CORP.

<b>KEYSTONE ELECTRONICS CORP.</b>			
ASTORIA, N.Y. 11105-2017			
PART NAME		COMPUTER BRACKET	
MATERIAL		.032 [0.81] THK STEEL	
FINISH	NICKEL PLATE		
TOLERANCES	INCH	[MM]	CODE
DECIMAL	± .015	[± 0.38 ]	C
ANGULAR	± 1°		
UNLESS OTHERWISE SPECIFIED			
DRN BY	DATE	DWG NO.	SCALE
BOONE	6.15.98	9203-1	1X