



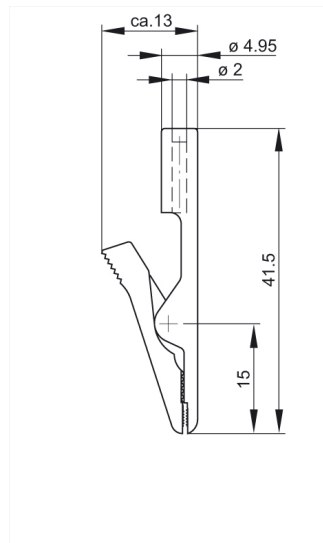
MA 1 rot/red

Industrial Connectors:Measuring and Testing Equipment:Alligator clips:2 mm system

Product description

Description	Miniature alligator clip with unbreakable insulation. Nickel-plated brass jaws. The flat part of the jaws (fine wire section) allows a secure contact to be made when clamping even the thinnest wires. Capable of clamping flat components (soldering eyes) and wires up to a maximum diameter of 4 mm.
Type	MA 1 rot/red
Order No.	930 317-801
System	2 mm system
Clamping range	4 mm
Housing Color	red
Other standard types	black color, order no. 930 317-800

Drawing



Technical data

Type of contact	socket (spring loaded)
Type of termination	2 mm socket
Rated voltage	DC 60 V
Contact resistance	5 mOhm

Material

Contact material	brass
Contact surface material	nickel-plated
Housing material	PA

Environmental conditions

Temperature range	-25 °C to +100 °C
-------------------	-------------------

Inflammability class

Housing	94 HB
---------	-------