


2J0102

(DATASHEET)

Type	WiFi/Bluetooth antenna for short range applications
Frequencies	WIFI / BLUETOOTH (2.4 GHz)
Mounting	Telematics Mount
Revision	00




P. Tipul


D. Noble

1. PRODUCT SELECTOR

PN: 2J0102- Cxx

2J0102- product name
Cxx - connector type

2J0102-C109N SMA male R/A connector
2J0102-C20N SMA male connector
2J0102-C257N FME female connector
2J0102-C131N FME female R/A connector

2. SPECIFICATION

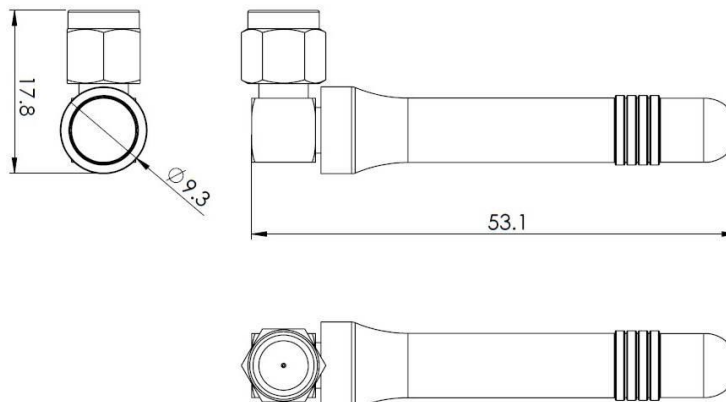
2.1. Electrical Specifications

Frequencies	WIFI / BLUETOOTH (2.4 GHz)
Impedance	50 Ohms
Polarization	Linear
Gain	0dBi
VSWR	<1.5:1
Power handling	25W
Operating temperature	-40°C to +85°C

2.2. Mechanical Specifications and Dimensions

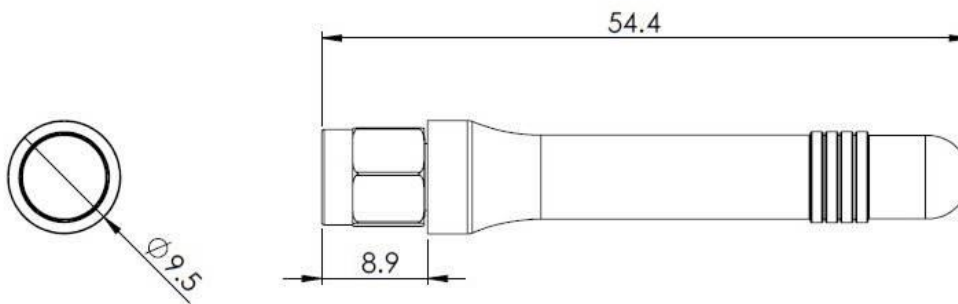
2.2.1. 2J0102 -C109N

Connector: SMA male R/A
 Material: TPE
 Max. dimensions: 9.3mm x 53.1mm x 17.8mm (D x H x L)
 Weight: 7.6 g
 Colour: Black (for different colours please ask our sales team)



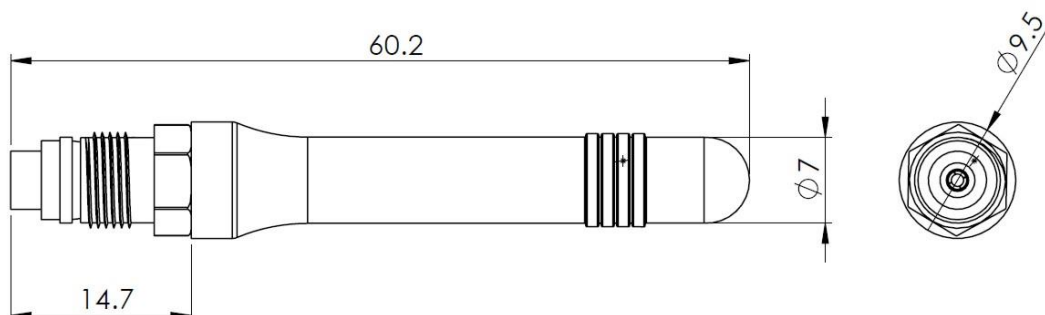
2.2.2. 2J0102-C20N

Connector:	SMA male
Material:	TPE
Max. dimensions:	9.5mm x 54.4mm (D x H)
Weight:	7.2 g
Colour:	Black (for different colours please ask our sales team)



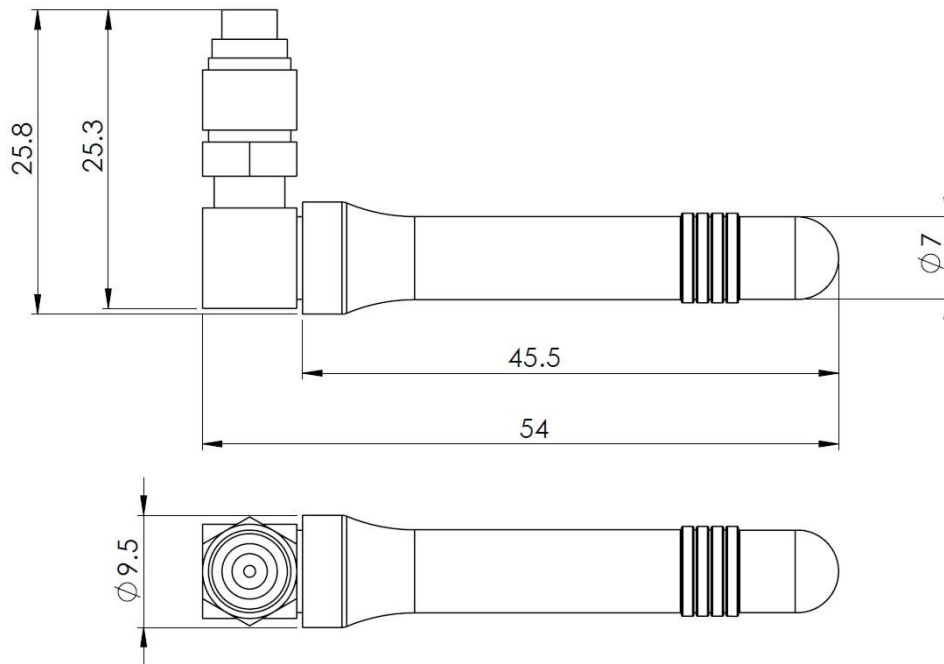
2.2.3. 2J0102-C257N

Connector:	FME female
Material:	TPE
Max. dimensions:	9.5mm x 60.2mm (D x H)
Weight:	7.3 g
Colour:	Black (for different colours please ask our sales team)



2.2.4. 2J0102-C131N

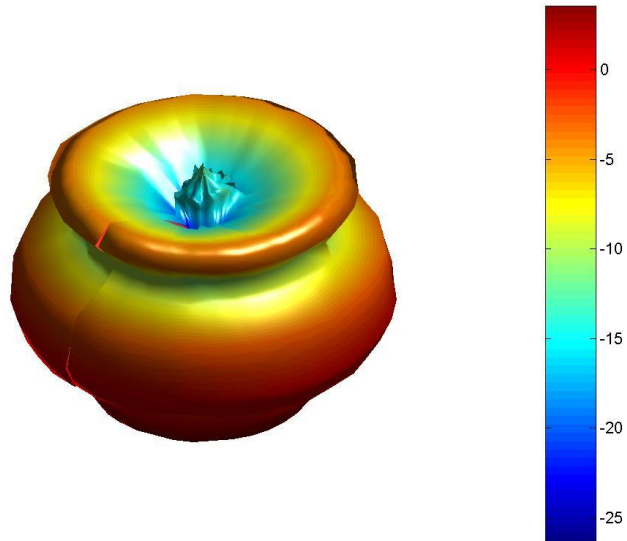
Connector:	FME female R/A
Material:	TPE
Max. dimensions:	9.5mm x 54mm x 25.8mm (D x H x L)
Weight:	7.6 g
Colour:	Black (for different colours please ask our sales team)



3. MEASUREMENT

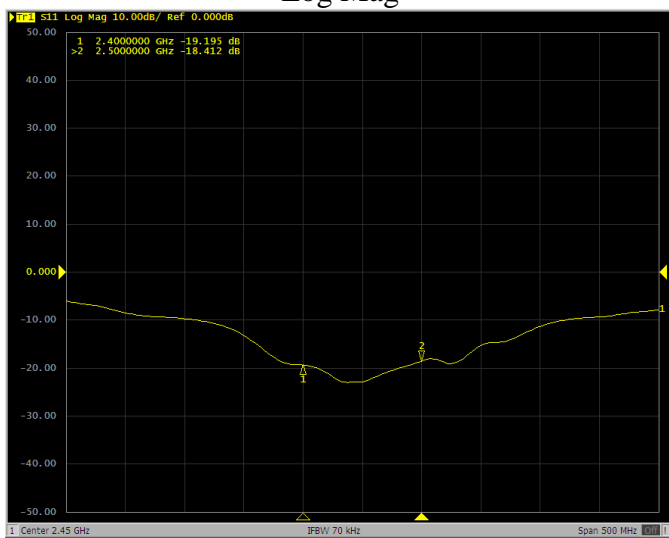
- 3D radiation pattern

Antenna gain at 2,4GHz
 Freq = 2.4GHz Az= 45 EL= 45



- S11

Log Mag



VSWR

