



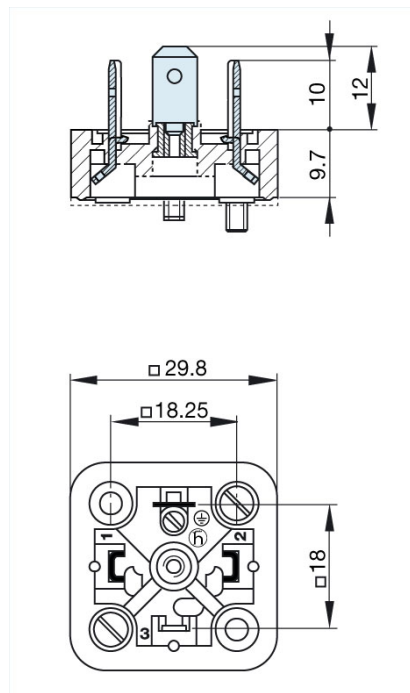
GSA 2000 schwarz/black

Industrial Connectors:Rectangular connectors GDM-series:Type AEN 175301-803 (DIN 43650) / ISO 4400:Appliance connector

Product description

| | |
|--------------------|---|
| Description | appliance connector with retaining nut, 2 screws M 3 x 10 and 1 screw M 3 x 5, longitudinal slots, open nut |
| Type | GSA 2000 schwarz/black |
| Order No. | 932 591-100 |
| Number of contacts | 2 + PE |
| Standard | DIN EN 175 301-803-A |
| Housing Color | black |
| Construction type | A |

Drawing



Technical data

| | |
|---------------------|--|
| Rated voltage | AC/DC 400 V |
| Rated current | 16 A |
| Contact resistance | ≤ 4 mOhm |
| Type of termination | solder, holes for possibility of soldering on both sides (ground contacts: screw) |
| Mounting | screw |

Material

| | |
|--------------------------|----|
| Contact surface material | Sn |
|--------------------------|----|

| | |
|--|--|
| Contact bearer material | PA |
| Housing material | PA |
| Environmental conditions | |
| Protection class (IEC 60529) | IP 65 (gasket necessary) (mated) |
| Pollution severity | 3 |
| Temperature range | -40 °C to +125 °C |
| Inflammability class | |
| Contact bearer | 94 V-0 |
| Approvals | |
| UR | UR |
| VDE | VDE |
| SEV | SEV |
| CSA | CSA |
| Packing unit | |
| Packaging unit | 200 pieces |
| Scope of delivery and accessories | |
| Accessories to order separately | (NBR) flat gasket GSA 200-4, Order no. 730 843-002; (EPDM) flat gasket GSA 200-7, Order no. 730 268-003 |