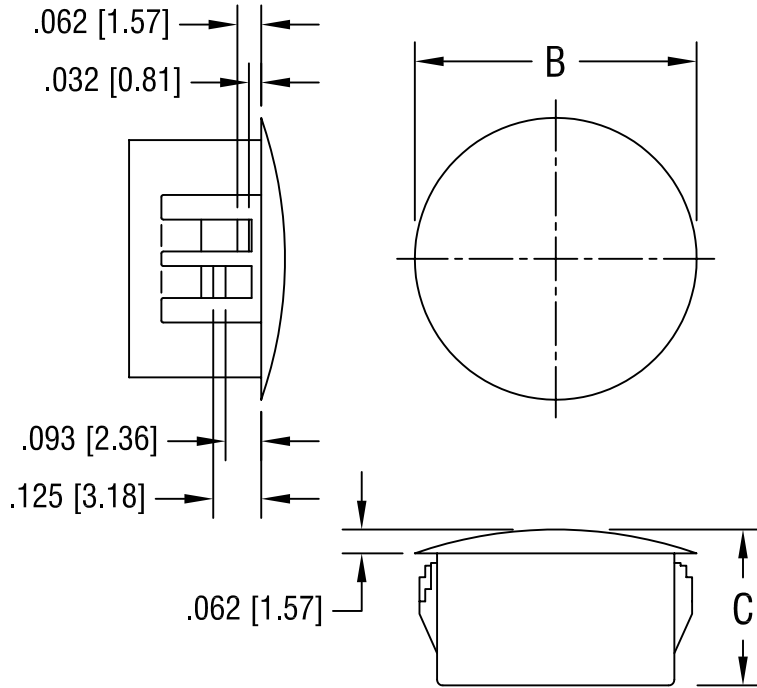


THIS DOCUMENT IS THE PROPERTY OF  
KEYSTONE ELECTRONICS CORP. AND  
SHALL NOT BE REPRODUCED, DISTRIBUTED  
OR USED AS A BASIS FOR MANUFACTURE  
WITHOUT PRIOR WRITTEN PERMISSION  
FROM KEYSTONE ELECTRONICS CORP.



| PART NO. | 'B' DIA.      | 'C' DIM.     |
|----------|---------------|--------------|
| 8600     | .312 [7.92]   | .312 [7.92]  |
| 8601     | .375 [9.53]   | .312 [7.92]  |
| 8602     | .468 [11.89]  | .406 [10.31] |
| 8603     | .578 [14.68]  | .406 [10.31] |
| 8604     | .734 [18.64]  | .406 [10.31] |
| 8605     | .921 [23.39]  | .406 [10.31] |
| 8606     | 1.015 [25.78] | .453 [11.51] |
| 8607     | 1.203 [30.56] | .453 [11.51] |
| 8608     | 1.218 [30.94] | .453 [11.51] |
| 8609     | 1.375 [34.93] | .453 [11.51] |
| 8610     | 1.500 [38.10] | .453 [11.51] |
| 8611     | 1.671 [42.44] | .453 [11.51] |

**KEYSTONE ELECTRONICS CORP.**

ASTORIA, N.Y. 11105-2017

PART NAME

HOLE PLUG

MATERIAL

NYLON 6/6, BLACK UL 94V-2

FINISH

MATTE FINISH

DRN BY

BOONE

DATE

8.11.97

APPD

LN

SCALE

-

TOLERANCES

INCH [MM]

DECIMAL  $\pm .015$  [ $\pm 0.38$ ]

ANGULAR  $\pm 1^\circ$

UNLESS OTHERWISE SPECIFIED

CODE

C/M

DWG NO.

8600-8611

DATE

DESCRIPTION

REV.