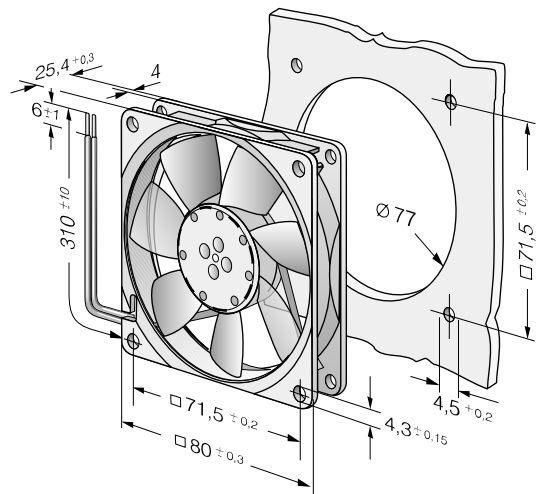
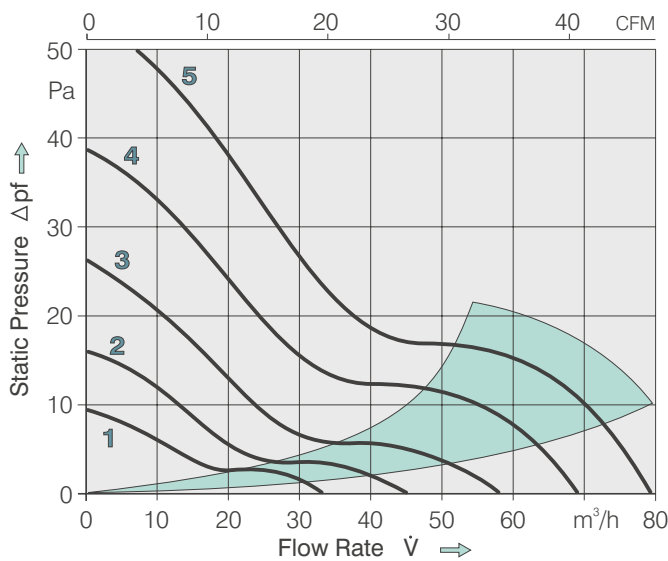




- DC fans with electronically commutated external rotor motor. Fully integrated commutation electronics.
- With electronic protection against reverse polarity, blocking and overloading; partially impedance protected.
- Fan of fibreglass reinforced plastic. PBTP housing, PA impeller.
- Air exhaust over struts. Rotational direction CCW looking at rotor.
- Electrical connection via leads AWG 24, TR 64. Stripped and tinned ends.
- Mass 95 g.

Series 8400N 80 x 80 x 25 mm

Air flow		Nominal Voltage	Voltage Range	Noise	Sinter-Sleeve Bearings		Power Input	Nominal Speed	Temperature Range	Service Life L ₁₀		Curve	Type	Specials
m ³ /h	CFM				V DC	V DC				dB(A)	bels			
33	19.4	12	8...15	12	3.5	□	0.6	1500	-20...+70	80000/40000	1	8412 NGL	58	
33	19.4	12	8...15	17	3.7	■	0.6	1500	-20...+70	80000/40000	1	8412 NL		
45	26.5	12	8...15	19	3.9	□	0.9	2050	-20...+70	80000/40000	2	8412 NGML		
45	26.5	12	8...15	21	4.0	■	0.9	2050	-20...+70	80000/40000	2	8412 NML		
58	34.1	12	8...15	26	4.3	□	1.3	2600	-20...+70	80000/40000	3	8412 NGM	58	
58	34.1	12	8...15	27	4.4	■	1.3	2600	-20...+70	80000/40000	3	8412 NM		
69	40.6	12	8...15	32	4.7	□	2.0	3100	-20...+70	70000/35000	4	8412 NG	58	
69	40.6	12	8...15	32	4.7	■	2.0	3100	-20...+70	70000/35000	4	8412 N		
79	46.5	12	8...13.2	37	5.0	■	2.2	3600	-20...+70	70000/35000	5	8412 NH		
33	19.4	24	18...28	12	3.5	□	0.7	1500	-20...+70	80000/40000	1	8414 NGL	58	
33	19.4	24	18...28	17	3.7	■	0.7	1500	-20...+70	80000/40000	1	8414 NL		
45	26.5	24	18...28	19	3.9	□	1.1	2050	-20...+70	80000/40000	2	8414 NGML		
45	26.5	24	18...28	21	4.0	■	1.1	2050	-20...+70	80000/40000	2	8414 NML		
58	34.1	24	18...28	26	4.3	□	1.4	2600	-20...+70	80000/40000	3	8414 NGM	58	
58	34.1	24	18...28	27	4.4	■	1.4	2600	-20...+70	80000/40000	3	8414 NM		
69	40.6	24	18...28	32	4.7	□	2.0	3100	-20...+70	70000/35000	4	8414 NG	58	
69	40.6	24	18...28	32	4.7	■	2.0	3100	-20...+70	70000/35000	4	8414 N	58	
79	46.5	24	18...26	37	5.0	■	2.4	3600	-20...+70	70000/35000	5	8414 NH		



DC Axial Fans