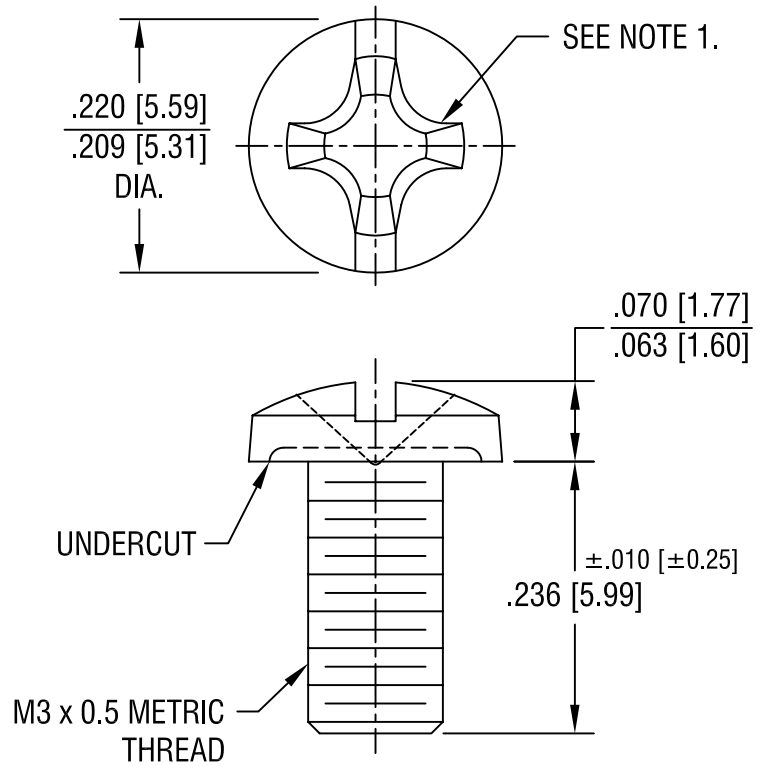


THIS DOCUMENT IS THE PROPERTY OF
KEYSTONE ELECTRONICS CORP. AND
SHALL NOT BE REPRODUCED, DISTRIBUTED
OR USED AS A BASIS FOR MANUFACTURE
WITHOUT PRIOR WRITTEN PERMISSION
FROM KEYSTONE ELECTRONICS CORP.



NOTE:

1. TO ACCEPT STANDARD SLOT OR PHILLIPS DRIVE.

KEYSTONE ELECTRONICS CORP.			
ASTORIA, N.Y. 11105-2017			
PART NAME			
METRIC COMBINATION BINDING HD SCREW			
MATERIAL			
BRASS			
FINISH		DRN BY	DATE
NICKEL PLATE		BOONE	4.16.01
		APPD	SCALE
			6X
TOLERANCES	INCH [MM]	CODE	DWG NO.
DECIMAL	$\pm .005$ [± 0.15]	C	7689-1
ANGULAR	$\pm 1^\circ$		
UNLESS OTHERWISE SPECIFIED			

6.26.01	CHANGE AS PER ECN 01-048	A	
DATE	DESCRIPTION	REV.	