



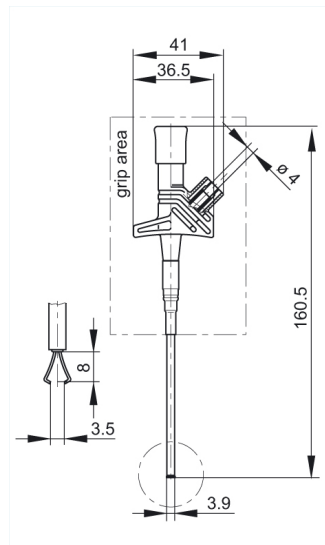
KLEPS 2600 rot/red

Industrial Connectors:Measuring and Testing Equipment:Clamp-type test probes:4 mm safety system

Product description

Description	Safety clamp-type test probe with rotating grip jaws and flexible shaft. Wires and pins with up to a maximum diameter of 4 mm can be clamped thanks to the special form of the grip jaws.4 mm diameter brass socket connection.
Type	KLEPS 2600 rot/red
Order No.	972 306-101
System	4 mm safety system
Clamping range	4 mm
Clamp type	rotating grip jaws
Housing Color	red
Other standard types	black color, Order-No. 972 306-100

Drawing



Technical data

Type of contact	socket
Type of termination	4 mm socket
Standard	IEC 61010
Rated voltage	AC/DC 1000 V
Measurement Category	CAT III
Contact resistance	50 mOhm
Certificates	CE

Material

Contact material	spring steel
Contact surface material	nickel-plated
Housing material	PBT

Environmental conditions

Temperature range	-25 °C to +80 °C
-------------------	------------------

Inflammability class

PRODUCT DATASHEET

is brought to you by



[SOS electronic](https://www.soselectronic.com/)

distribution of electronic components

Click to view availability, pricing and lifecycle information.

Visit <https://www.soselectronic.com/>