

PRODUCT DATASHEET

is brought to you by



[SOS electronic](#)

distribution of electronic components

Click to view availability, pricing and lifecycle information.

Visit <https://www.soselectronic.com/>

Datasheet begins on next page.



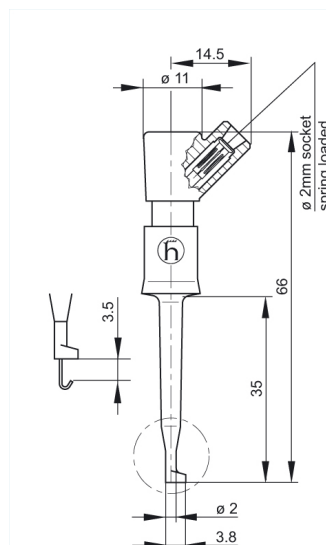
KLEPS 2 BU rot/red

Industrial Connectors:Measuring and Testing Equipment:Clamp-type test probes:2 mm system

Product description

Description	Miniature clamp-type test probe with 2 mm diameter socket connection. Gold-plated copper beryllium contact spring. Gold-plated sprung bronze contact hook for wires up to a maximum diameter of 2 mm. Suitable for connection to wrap posts up to a maximum of 1x1 mm.
Type	KLEPS 2 BU rot/red
Order No.	973 501-101
System	2 mm system
Clamping range	2 mm
Clamp type	contact hook
Housing Color	red
Other standard types	black color, Order-No. 973 501-100

Drawing



Technical data

Type of contact	socket (spring loaded)
Type of termination	plug
Rated voltage	DC 60 V
Rated current	6 A
Contact resistance	15 mOhm

Material

Contact material	contact hook: bronze, contact spring: copper beryllium
Contact surface material	gold-plated
Housing material	PBT

Environmental conditions

Temperature range	-25 °C to +100 °C
-------------------	-------------------

Inflammability class

