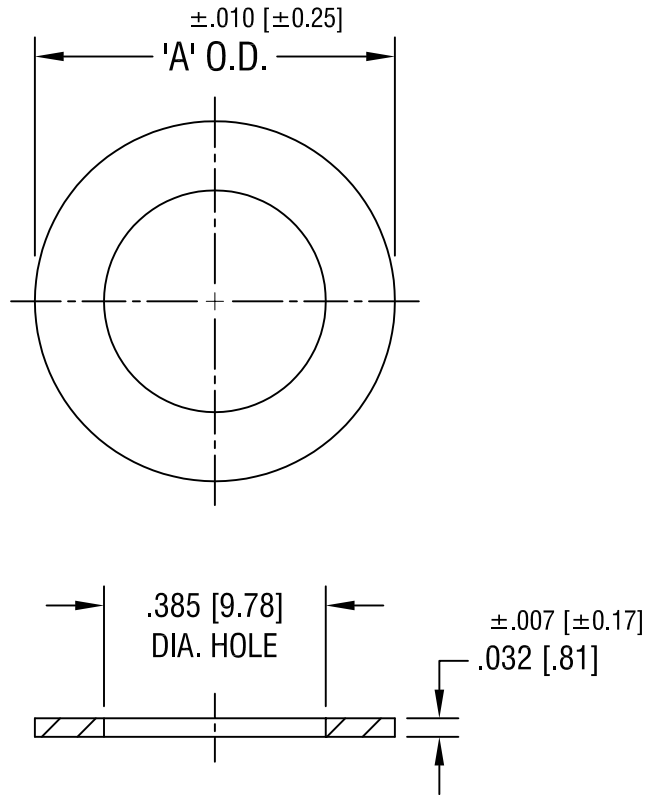


THIS DOCUMENT IS THE PROPERTY OF
KEYSTONE ELECTRONICS CORP. AND
SHALL NOT BE REPRODUCED, DISTRIBUTED
OR USED AS A BASIS FOR MANUFACTURE
WITHOUT PRIOR WRITTEN PERMISSION
FROM KEYSTONE ELECTRONICS CORP.



| 'A' O.D. DIM. | MAT'L: FIBRE | MAT'L: NYLON |
|---------------|--------------|--------------|
| .500 [12.70] | 3141 | 3145 |
| .625 [15.87] | 3142 | - |
| .750 [19.05] | 3143 | 3146 |
| 1.000 [25.40] | 3144 | 3147 |

KEYSTONE ELECTRONICS CORP.

ASTORIA, N.Y. 11105-2017

| | | | | | | | |
|------------|--|---------------------------|--|----------------------------|--|-----------|--|
| PART NAME | | | | FLAT WASHER | | | |
| MATERIAL | | | | AS NOTED | | | |
| FINISH | | DRN BY | | DATE | | | |
| - | | BOONE | | 8.23.82 | | | |
| | | APP'D | | SCALE | | | |
| | | LN | | 3X | | | |
| TOLERANCES | | INCH [MM] | | CODE | | DWG NO. | |
| DECIMAL | | $\pm .005$ [± 0.15] | | C/M | | 3141-3147 | |
| ANGULAR | | $\pm 1^\circ$ | | UNLESS OTHERWISE SPECIFIED | | | |

| | | |
|---------|--------------------------|------|
| 2.19.97 | CHANGE AS PER ECR 97-010 | B |
| 9.15.94 | CHANGE AS PER ECR 94-053 | A |
| DATE | DESCRIPTION | REV. |