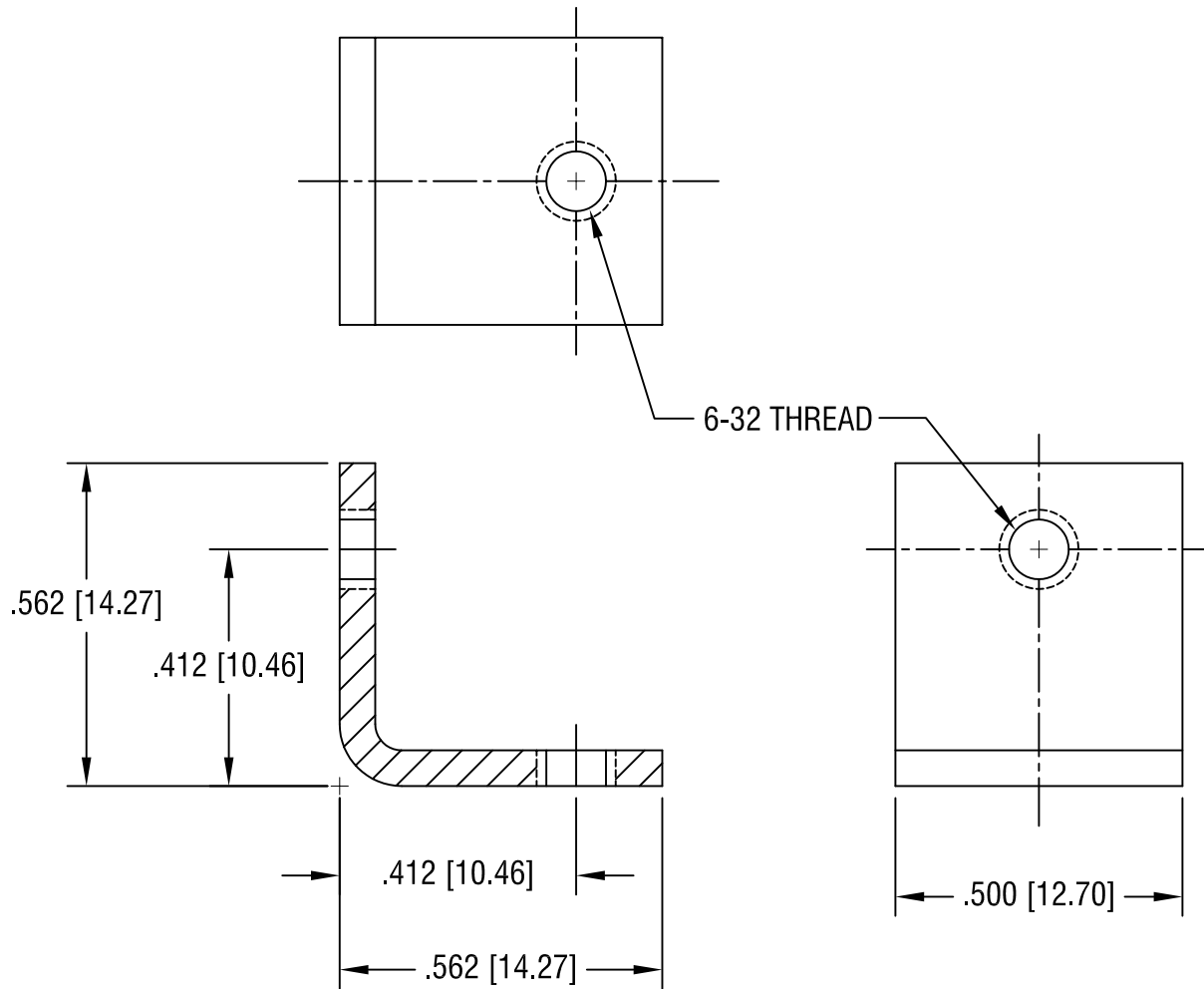


THIS DOCUMENT IS THE PROPERTY OF  
KEYSTONE ELECTRONICS CORP. AND  
SHALL NOT BE REPRODUCED, DISTRIBUTED  
OR USED AS A BASIS FOR MANUFACTURE  
WITHOUT PRIOR WRITTEN PERMISSION  
FROM KEYSTONE ELECTRONICS CORP.



**KEYSTONE ELECTRONICS CORP.**

ASTORIA, N.Y. 11105-2017

PART NAME

THREADED MOUNTING BRACKET

MATERIAL

.062 [1.57] TH'K STEEL

FINISH

NICKEL PLATE

DRN BY

BOONE

DATE

10.23.91

APP'D

SCALE

3X

4.7.06

CHANGE AS PER ECN 06-019

A

TOLERANCES

INCH [MM]

CODE

DWG NO.

DECIMAL  $\pm .010$  [ $\pm 0.25$ ]

C

ANGULAR  $\pm 1^\circ$   
UNLESS OTHERWISE SPECIFIED

**4334**

DATE

DESCRIPTION

REV.