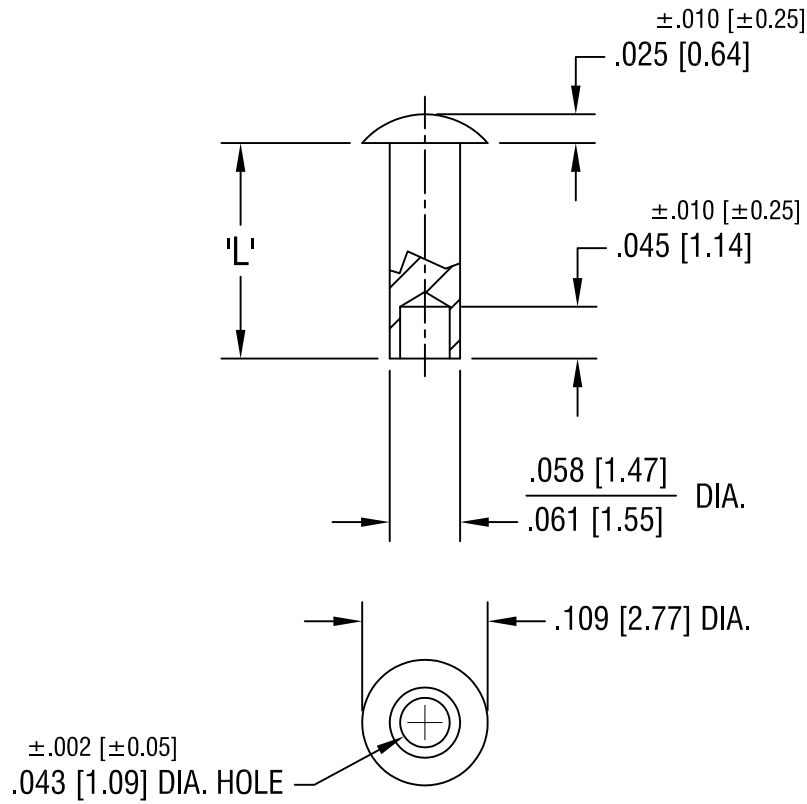


THIS DOCUMENT IS THE PROPERTY OF
KEYSTONE ELECTRONICS CORP. AND
SHALL NOT BE REPRODUCED, DISTRIBUTED
OR USED AS A BASIS FOR MANUFACTURE
WITHOUT PRIOR WRITTEN PERMISSION
FROM KEYSTONE ELECTRONICS CORP.



PART NO.	'L' DIM.
3381	.125 [3.18]
3382	.156 [3.96]
3383	.187 [4.75]

KEYSTONE ELECTRONICS CORP.

ASTORIA, N.Y. 11105-2017

PART NAME				RIVET, SEMI-TUBULAR			
MATERIAL				BRASS			
FINISH			DRN BY		DATE		SCALE
NICKEL PLATE			BOONE		8.31.00		6X
TOLERANCES			CODE		DWG NO.		
DECIMAL $\pm .005$ [± 0.15]			C/M		3381-3383		
ANGULAR $\pm 1^\circ$			UNLESS OTHERWISE SPECIFIED				

DATE	DESCRIPTION	REV.