

AC axial fan

A series



- **Design:** Without guard grille and wall ring
- **Impeller material:** Sheet steel (enameled in black)
- **Bearings:** Maintenance-free ball bearings

Nominal data

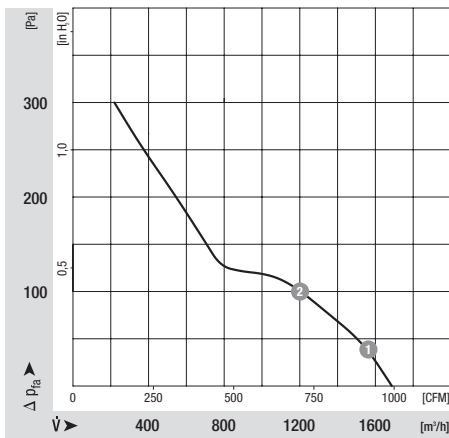
Type	Motor	Voltage	Frequency	Air flow	Speed	Power consumption	Current draw	Sound pressure level	Operative range 50Hz	Weight
		3 - VAC	Hz	m ³ /h	1/min	W	A	dB(A)	Pa	kg
A2D250AA0202	M2D068DF	230/400	50	1685	2650	110	0.22	72	0.. 300	2.2

Subject to modification

Current draw measured at 400 VAC (Y)

Characteristic: Pressure over air flow at 50Hz

n [min-1] P₁ [W] ntl [%] Lpa [dBA]

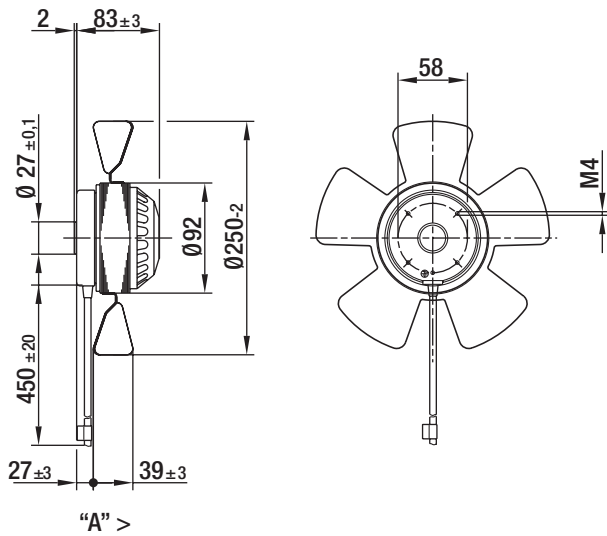


1	2645	123	--	--
2	2615	131	--	--

AC axial fan

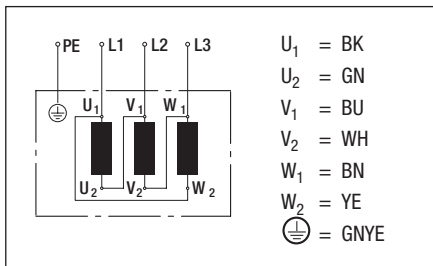
A series

Specific drawing

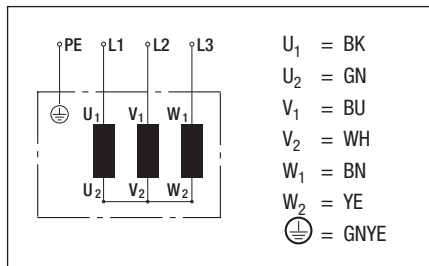


Connection illustration

Delta (3~ 230 VAC)



Star (3~ 400 VAC)



Technical description

- **Design:** Without guard grille and wall ring
- **Bearings:** Maintenance-free ball bearings
- **Direction of flow:** "A"
- **Cable layout:** On the side
- **Insulation class:** "B"
- **System of protection:** IP 44

- **Impeller material:** Sheet steel (enameled in black)
- **Direction of rotation:** Right, looking at rotor
- **Number of impeller blades:** 5
- **Operating mode:** S1
- **Protection class:** I

Contact

ebm-papst Muldingen GmbH & Co. KG

Bachmühle 2

D-74673 Muldingen

Phone +49 (0) 79 38 / 81-0

Fax +49 (0) 79 38 / 81-110

info1@de.ebmpapst.com

www.ebmpapst.com