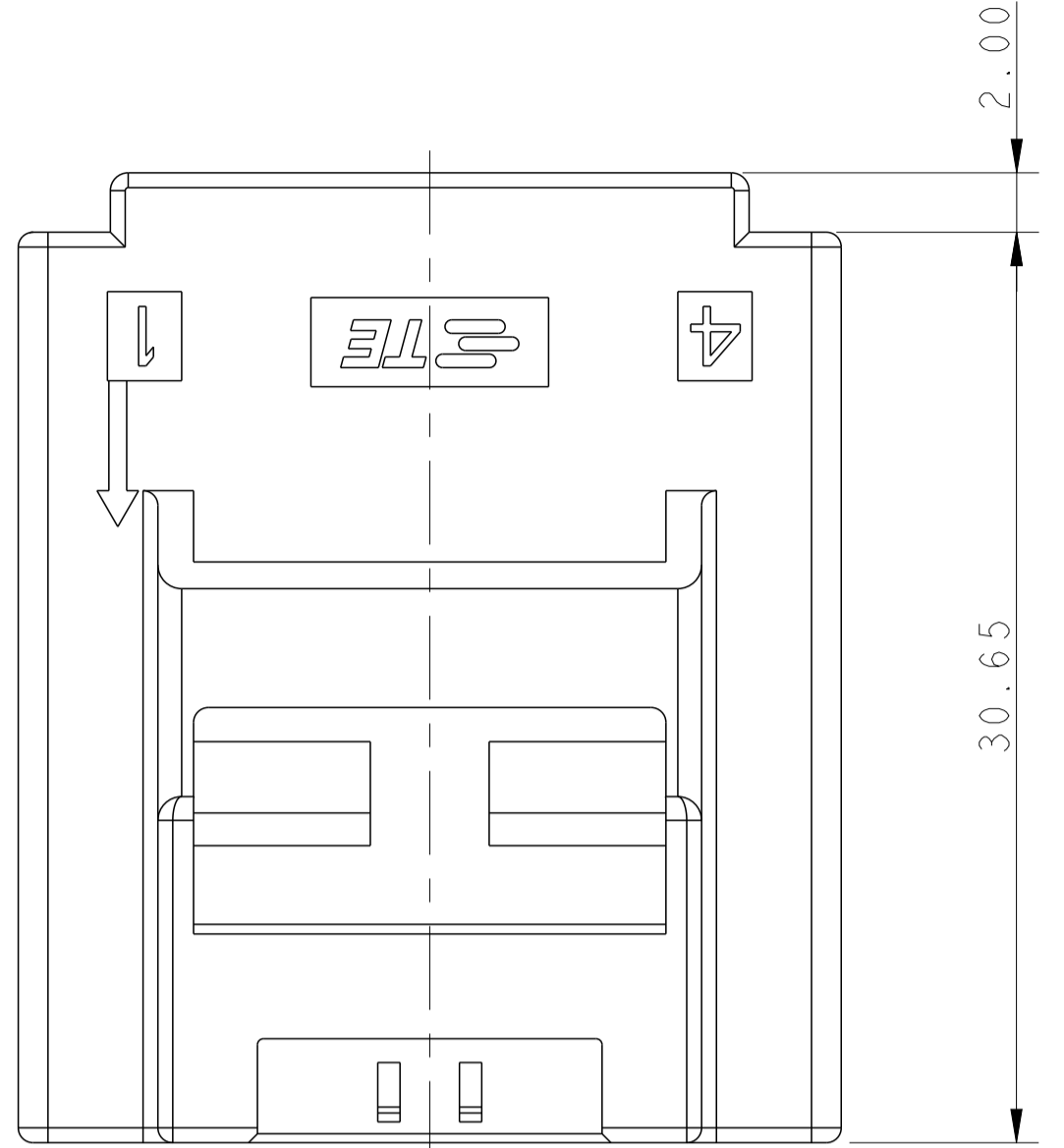
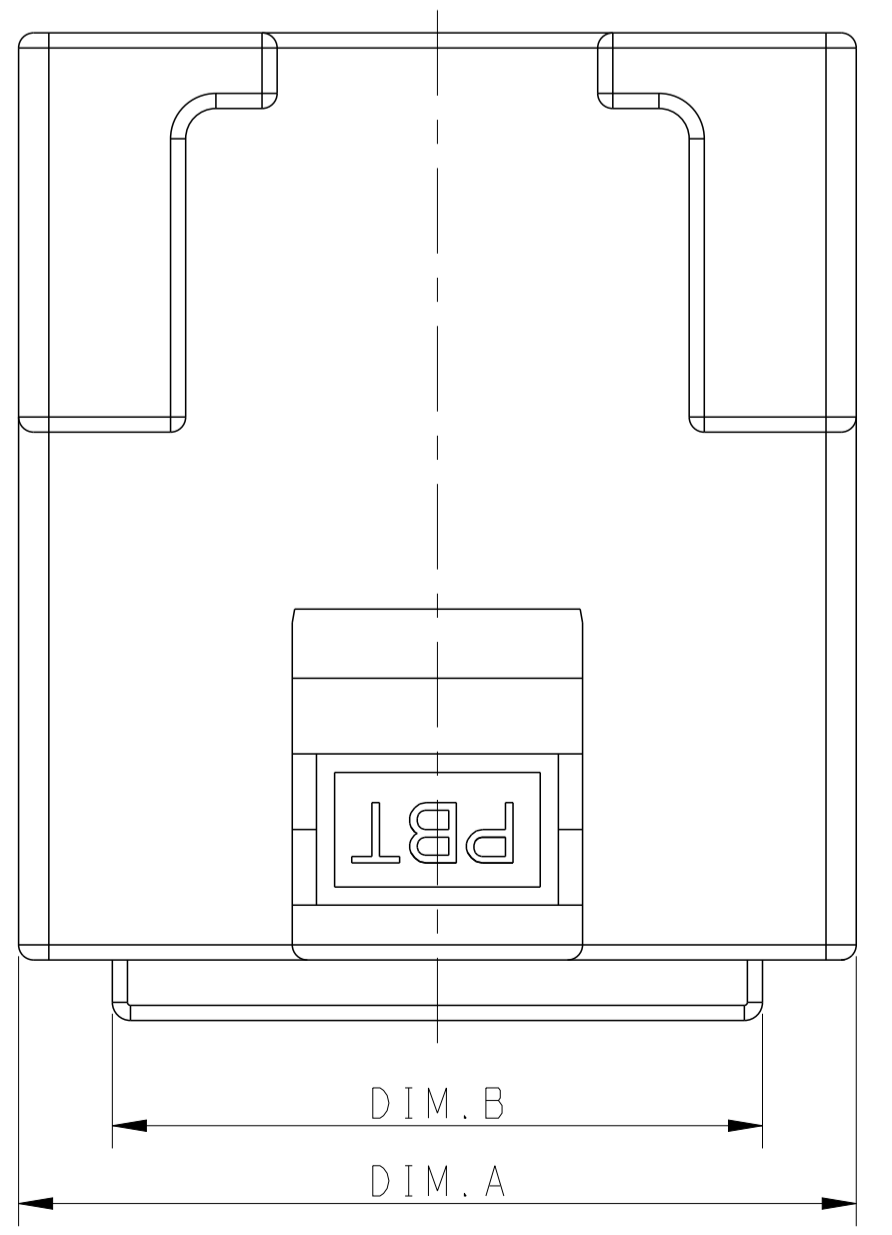
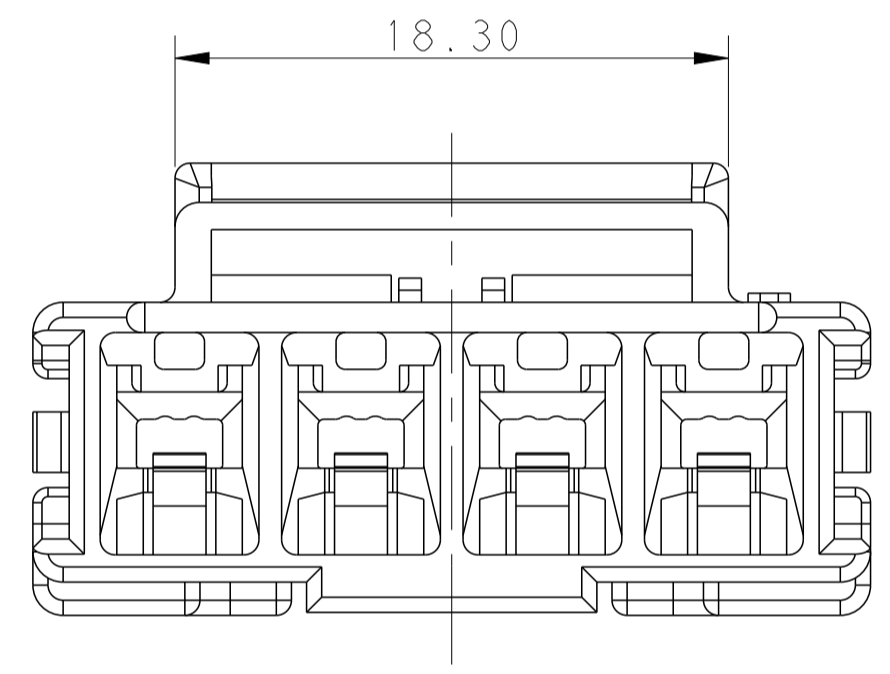
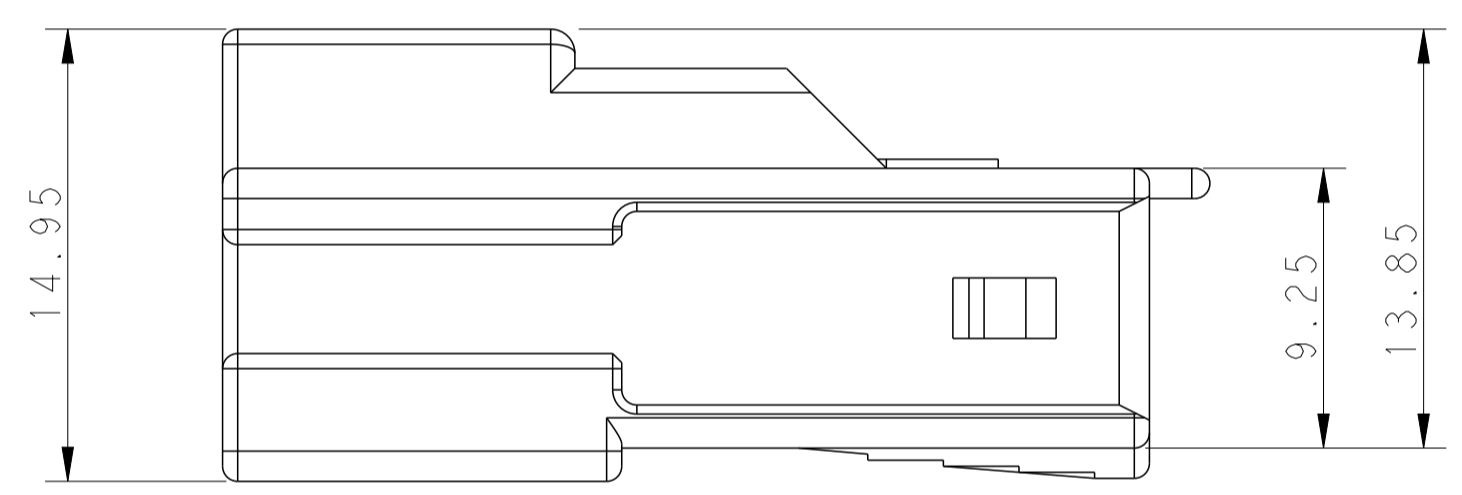
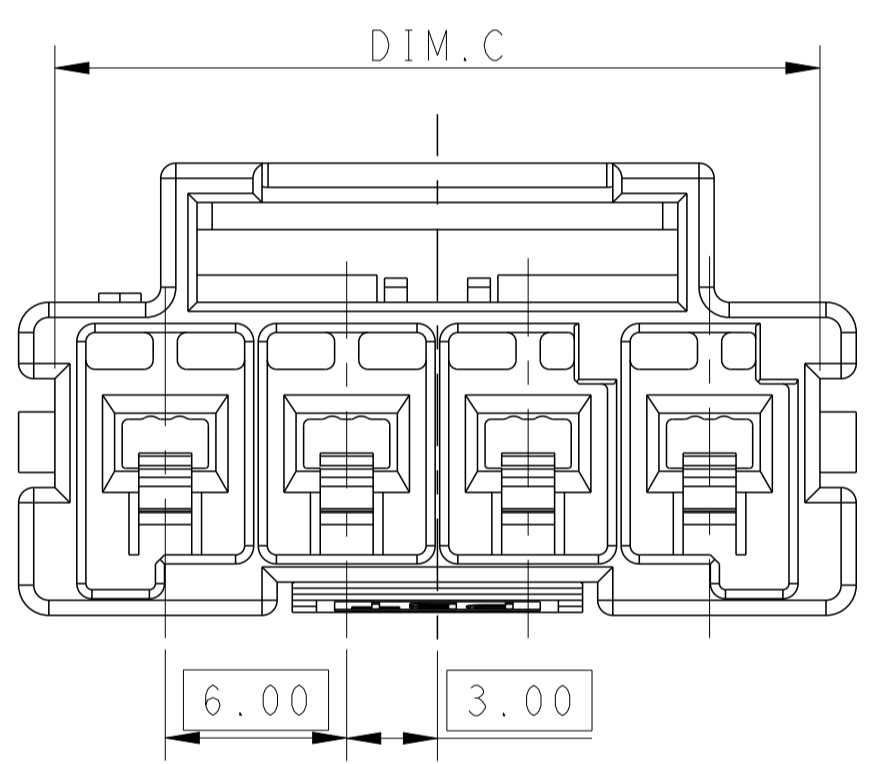


LOC		DIST		REVISIONS			
P	LTN	DESCRIPTION	DATE	DWN	APVD		
	A2	REVISED PER ECR-14-001023	28JAN2014	NK	GJ		




POS.	DIM.A	DIM.B	DIM.C
1*5	33.70	27.50	31.30
1*4	27.70	21.50	25.30
1*3	21.70	15.50	19.30
1*2	15.70	9.50	13.30

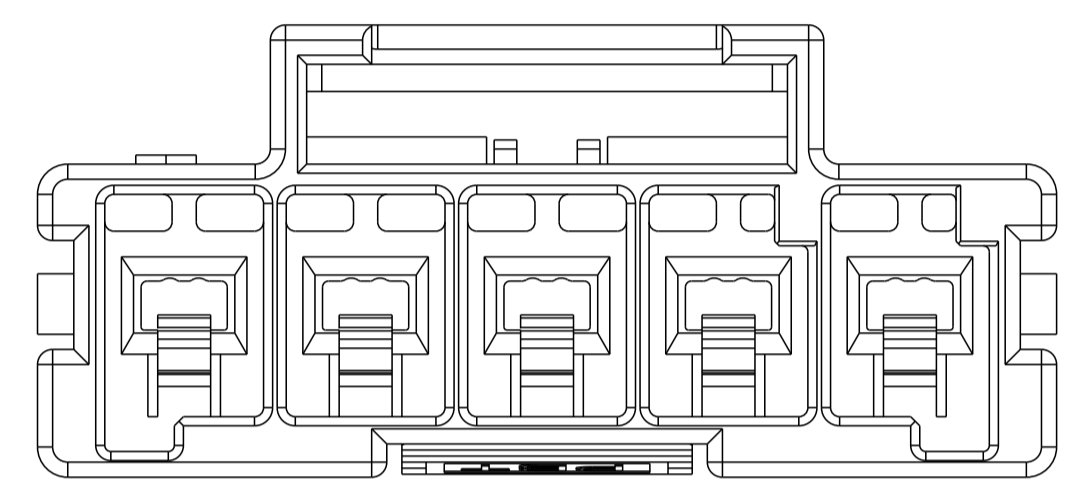
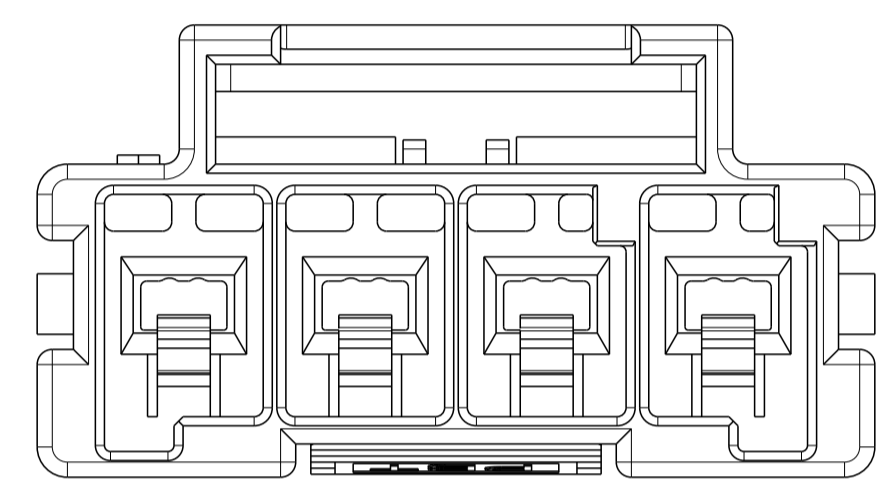
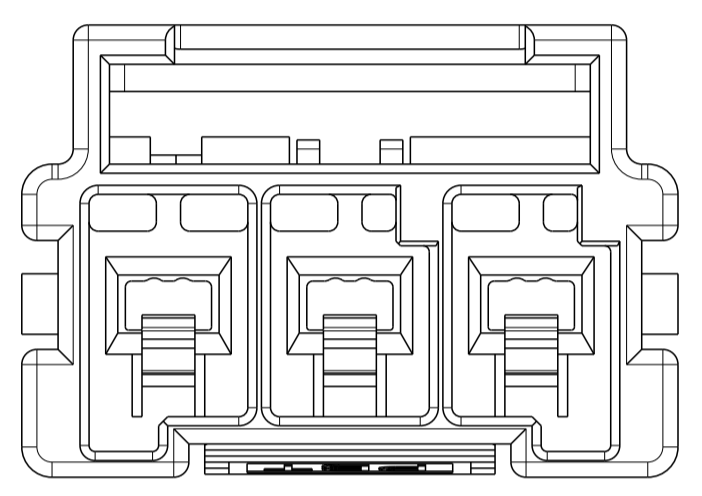
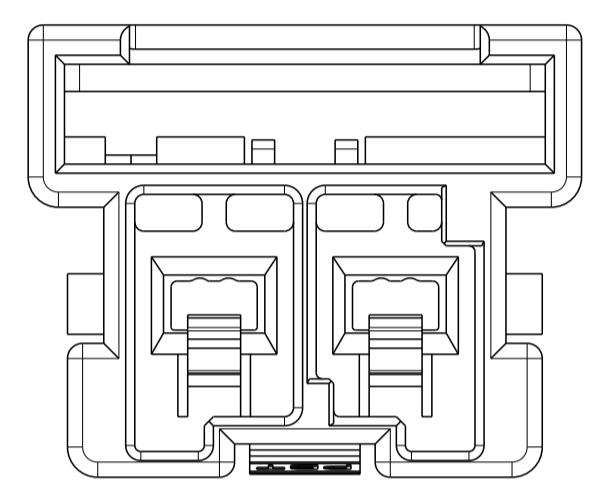
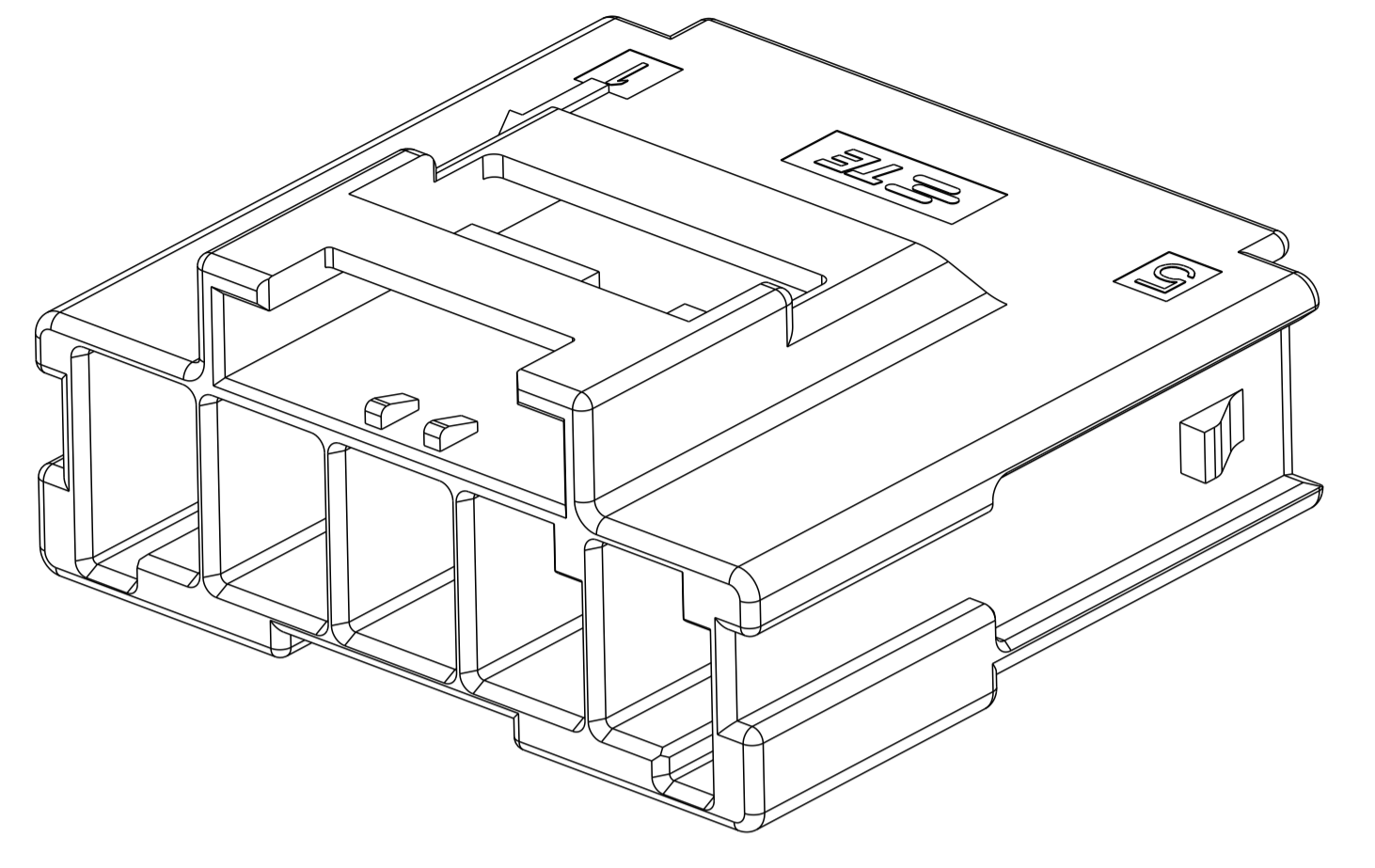
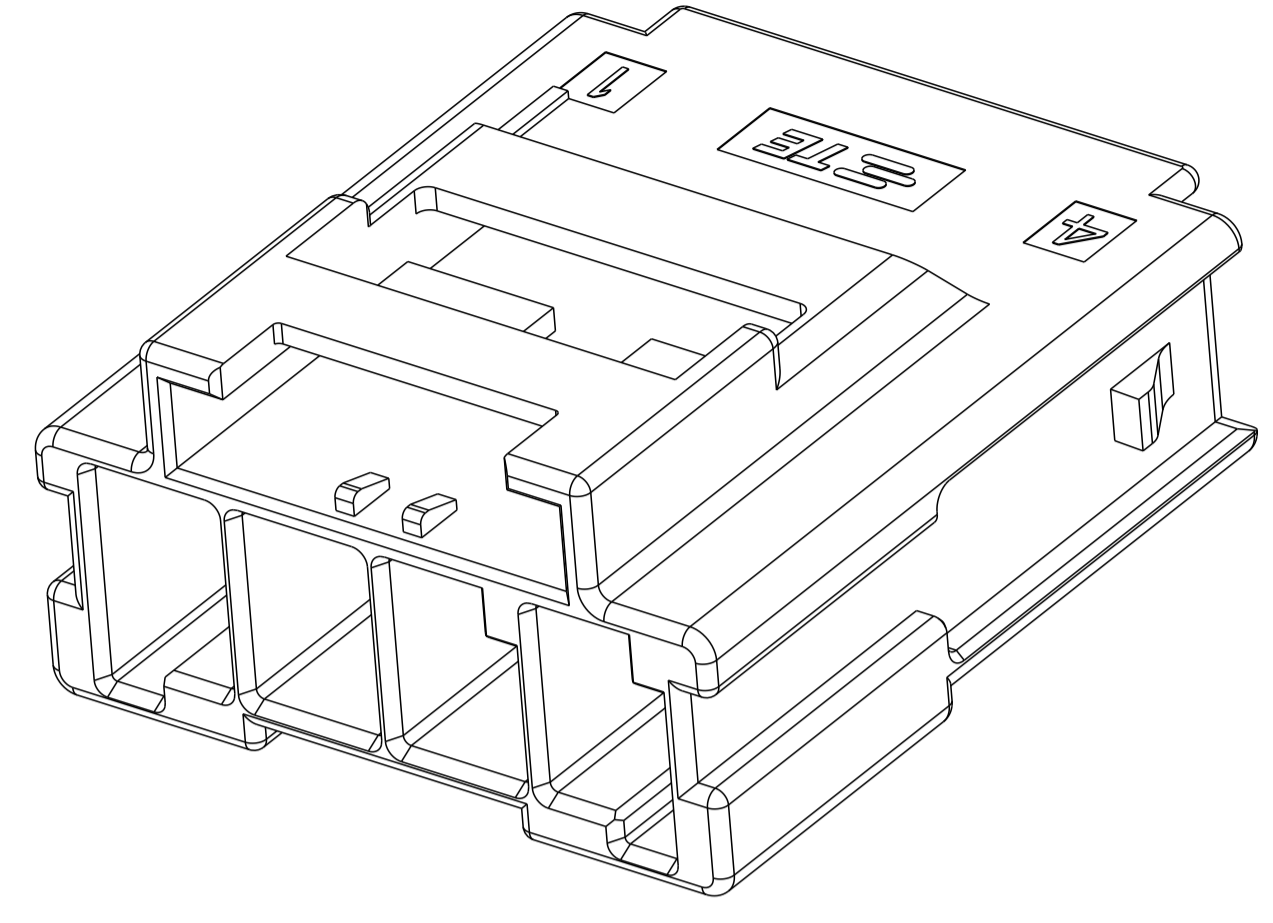
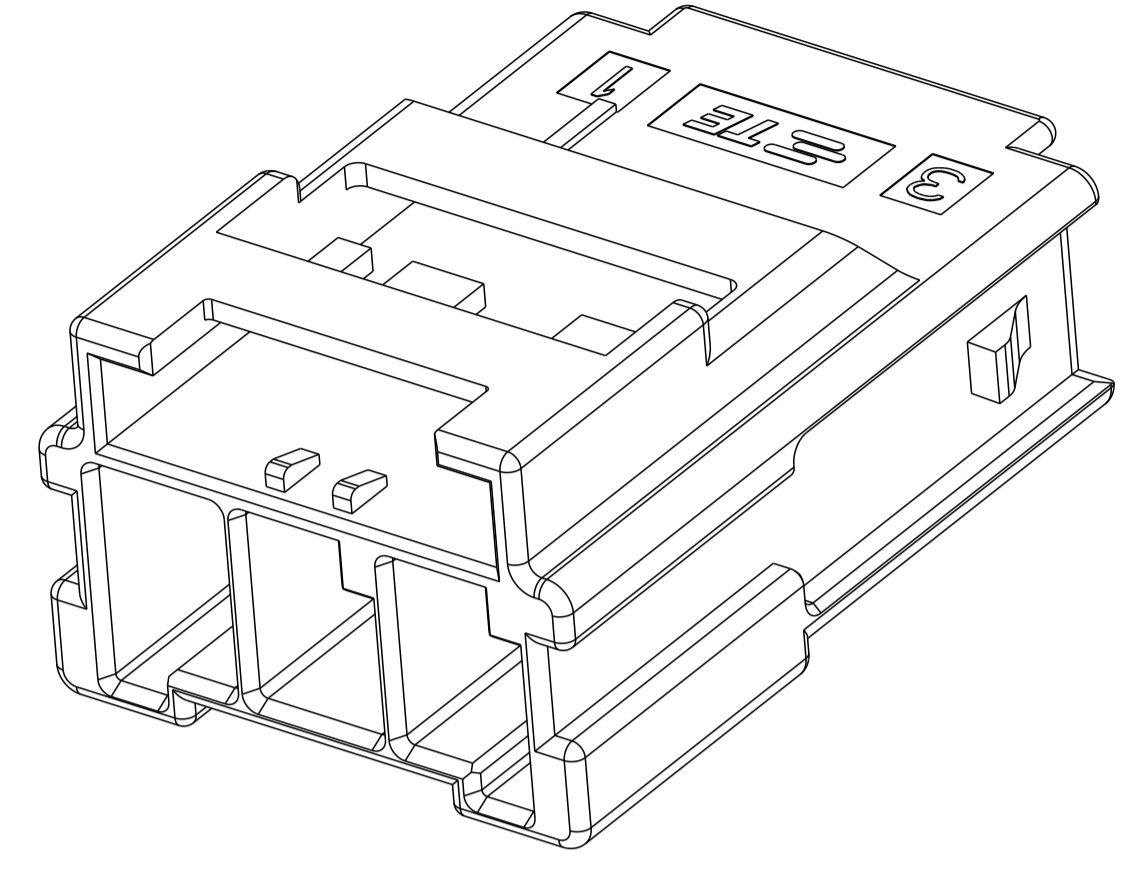
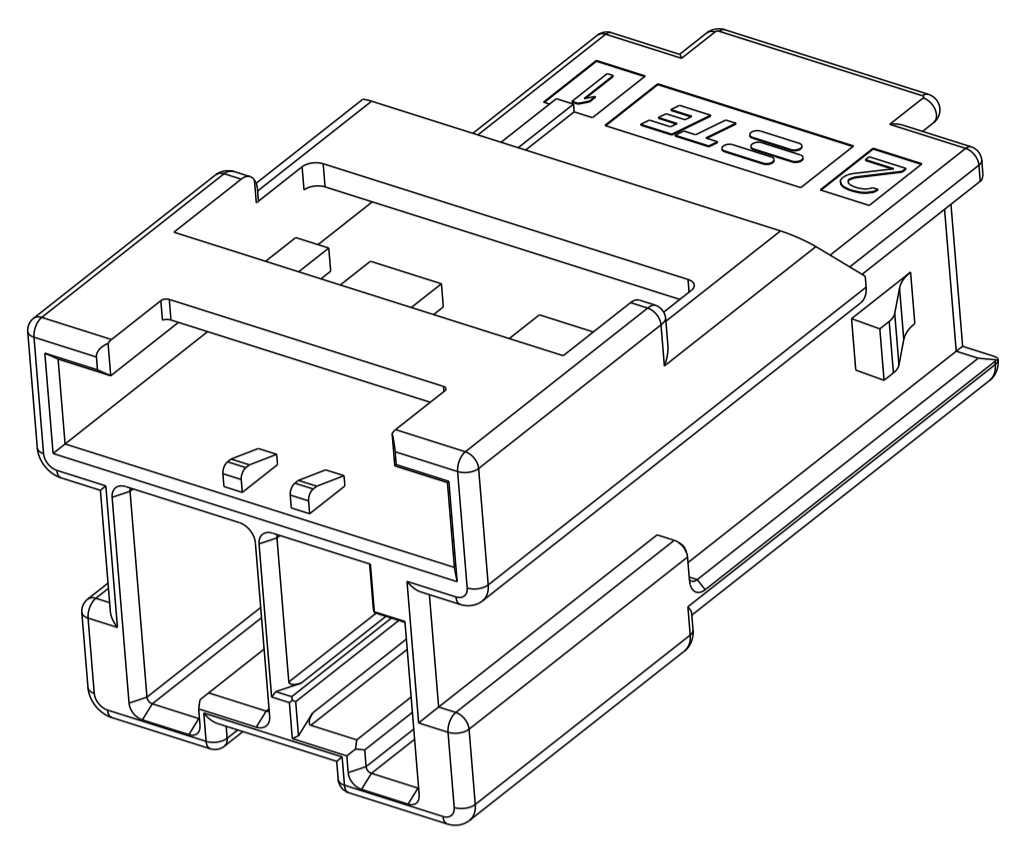


- NOTE
- MATERIAL:  
 LEVEL 1:PBT,STANDARD TEMPERATURE 105°C.  
 KEY A:NATRUAL; KEY B:PURPLE; KEY C:BLUE; KEY D:YELLOW  
 LEVEL 2:NYLON,HIGH TEMPERATURE 150°C  
 KEY A:LIGHT GREY; KEY B:LIGHT GREY; KEY C:LIGHT GREY; KEY D:LIGHT GREY
  - MATERIAL MARK:  
 LEVEL 1:PBT,LEVEL 2:HDT
  - APPLICABLE CONTACT P/N  
 TAB CONTACT:1971238/1971780/82/84/86/88-\*
  - MATING CONN, P/N  
 PLUG HSG:\*-1971773-  
 DOUBLE LOCK PLATE:\*-1971777-\*
  - PRODUCT SPEC: 108-106118
  - APPLICATION SPEC:114-106118
  - THIS DRAWING DOES NOT PERTAIN TO RESTRICTED P/N 5-1971771-2.

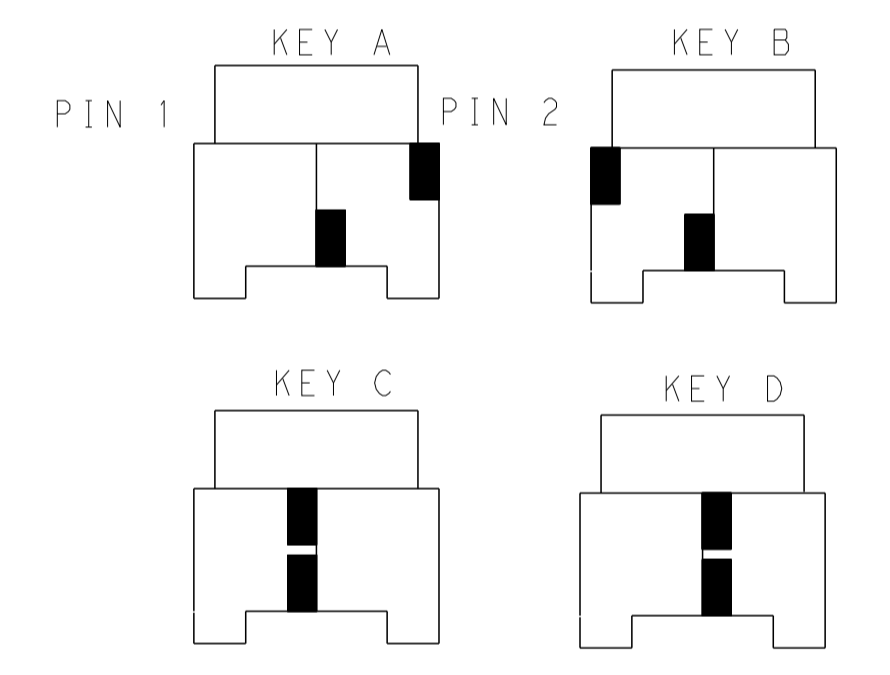
8. This product has not completed validation testing.

THIS DRAWING IS A CONTROLLED DOCUMENT.		DWN TOMMY WU 09JUL2012	 TE Connectivity
DIMENSIONS: mm		CHK HAPYE WU 09JUL2012	
TOLERANCES UNLESS OTHERWISE SPECIFIED:		APVD YUHONG MAO 09JUL2012	NAME CAP HOUSING, FREE HANGING, SINGLE ROW POWER TRIPLE LOCK
0 PLC ±	1 PLC ±0.35	PRODUCT SPEC	SIZE
2 PLC ±0.25	3 PLC ±	108-106118	CAGE CODE
4 PLC ±	ANGLES ±	APPLICATION SPEC	DRAWING NO
MATERIAL	FINISH	114-106118	RESTRICTED TO
		WEIGHT	A100779C=1971771
Customer Drawing		SCALE	SHEET 1 OF 2 REV A2

LOC		DIST		REVISIONS			
P	LTN	DESCRIPTION	DATE	OWN	APVD		
-	-	SEE SHEET 1	-	-	-		

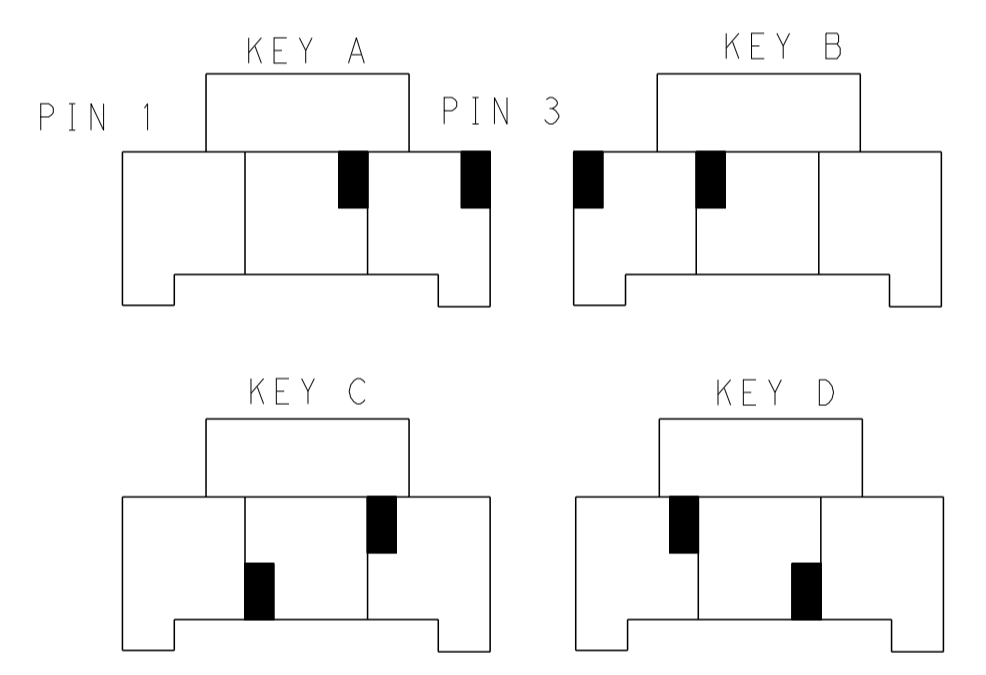


1\*2 POSITIONS



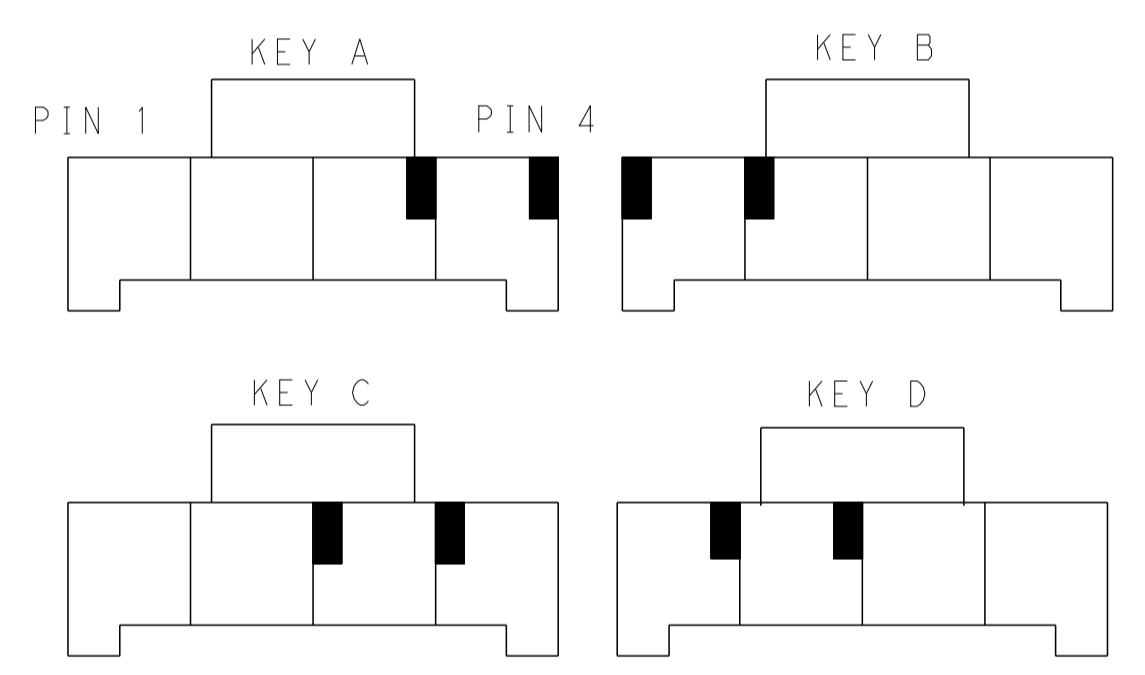
KEYING FOR 1\*2 POS.

1\*3 POSITIONS



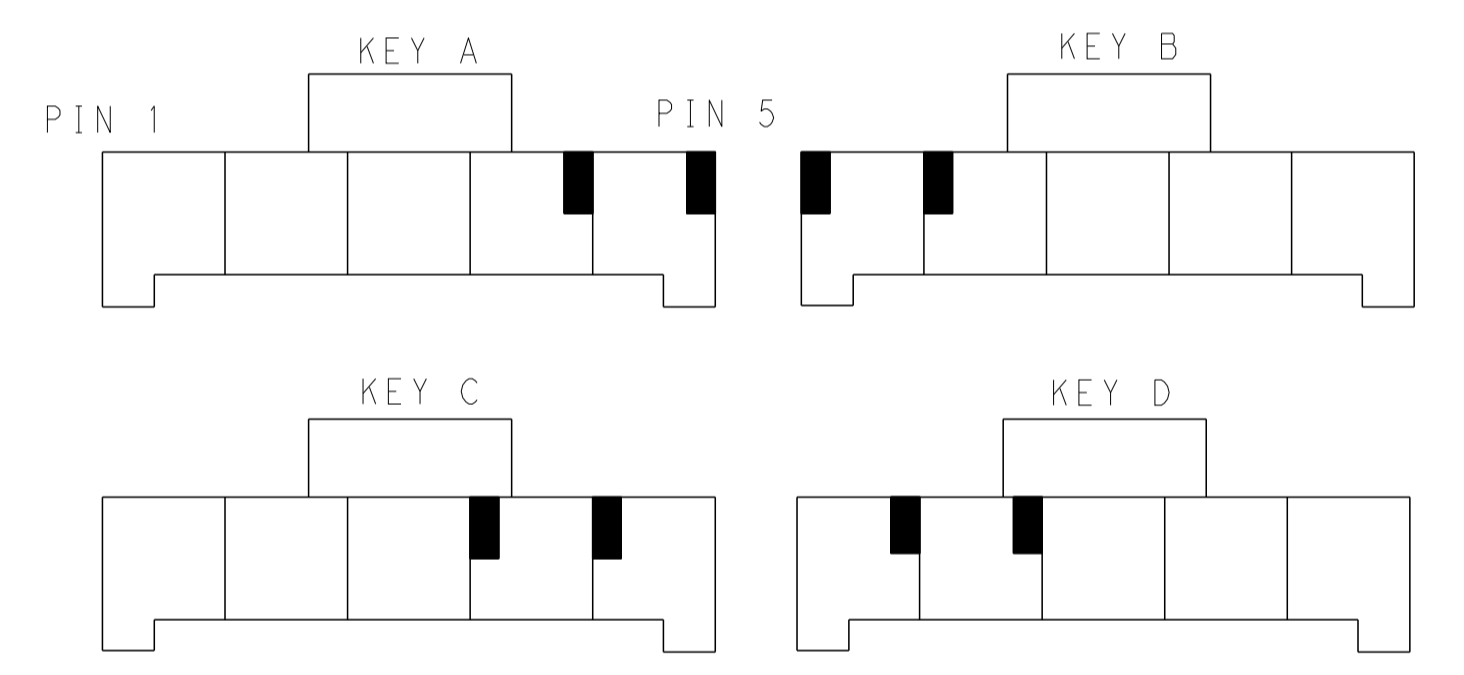
KEYING FOR 1\*3 POS.

1\*4 POSITIONS



KEYING FOR 1\*4 POS.

1\*5 POSITIONS



KEYING FOR 1\*5 POS.

POS.	MATERIAL	KEY	P/N
1*5	LEVEL 1	KEY A	1-1971771-7
		KEY B	2-1971771-7
		KEY C	3-1971771-7
		KEY D	4-1971771-7
	LEVEL 2	KEY A	5-1971771-7
		KEY B	6-1971771-7
		KEY C	7-1971771-7
		KEY D	8-1971771-7
1*4	LEVEL 1	KEY A	1-1971771-4
		KEY B	2-1971771-4
		KEY C	3-1971771-4
		KEY D	4-1971771-4
	LEVEL 2	KEY A	5-1971771-4
		KEY B	6-1971771-4
		KEY C	7-1971771-4
		KEY D	8-1971771-4

POS.	MATERIAL	KEY	P/N
1*3	LEVEL 1	KEY A	1-1971771-3
		KEY B	2-1971771-3
		KEY C	3-1971771-3
		KEY D	4-1971771-3
	LEVEL 2	KEY A	5-1971771-3
		KEY B	6-1971771-3
		KEY C	7-1971771-3
		KEY D	8-1971771-3
1*2	LEVEL 1	KEY A	1-1971771-2
		KEY B	2-1971771-2
		KEY C	3-1971771-2
		KEY D	4-1971771-2
	LEVEL 2	KEY A	9-1971771-2
		KEY B	6-1971771-2
		KEY C	7-1971771-2
		KEY D	8-1971771-2

THIS DRAWING IS A CONTROLLED DOCUMENT.

DIMENSIONS:	TOLERANCES UNLESS OTHERWISE SPECIFIED:	OWN: TOMMY_WU 09JUL2012	TE Connectivity NAME: CAP HOUSING, FREE HANGING, SINGLE ROW POWER TRIPLE LOCK PRODUCT SPEC: 108-106118 APPLICATION SPEC: 114-106118 SIZE: CAGE CODE DRAWING NO: A100779C=1971771 WEIGHT: - SCALE: - SHEET 2 OF 2 REV: A2
mm	0 PLC ±0.35 1 PLC ±0.25 2 PLC ±0.25 3 PLC ±0.25 4 PLC ±0.25 ANGLES ±0.25	CHK: HAPYE_WU 09JUL2012	
		APVD: YUZHONG_MAO 09JUL2012	
MATERIAL:	FINISH:	Customer Drawing	