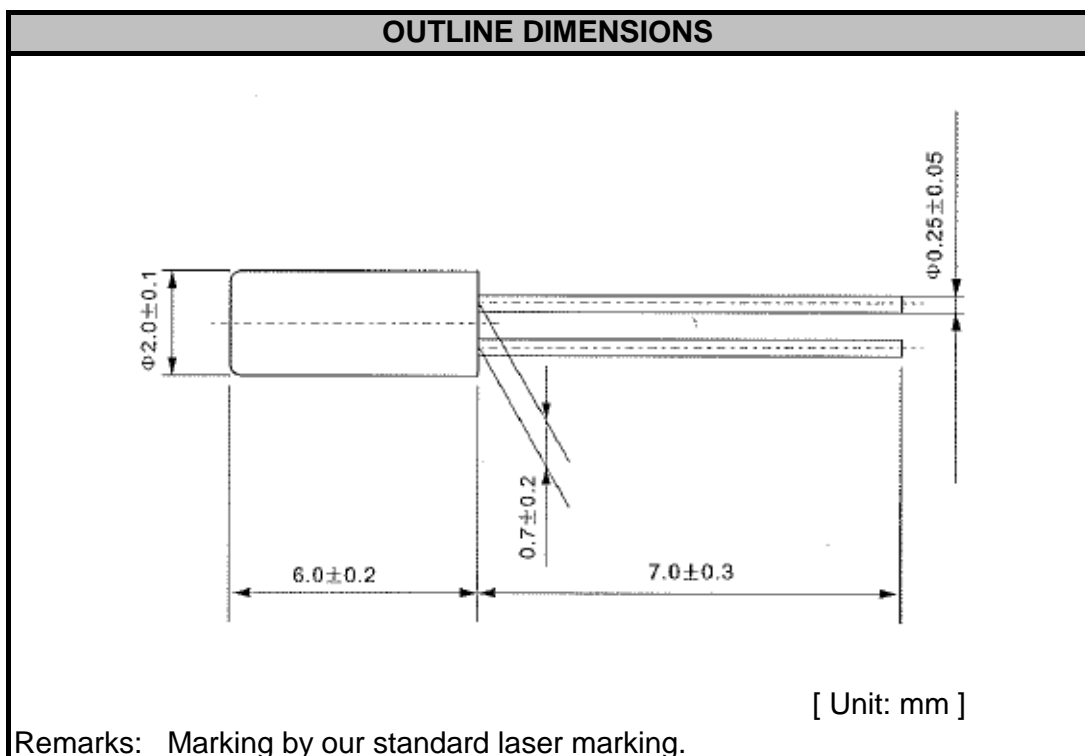


### SPECIFICATION DATA SHEET

DATE: 2-Apr-19

ELECTRICAL SPECIFICATIONS	
TYPE	2x6 Tuning Fork
Part Number	AS206-32.768K-FC125C3
Nominal Frequency	32.768000 KHz
Frequency Tolerance (at 25±5°C)	± 20 ppm
Operating Temperature	-20°C ~ +70°C
Storage Temperature	-40°C ~ + 85°C
Shunt Capacitance	1.45 pF Typ.
Load Capacitance	12.5 pF
Drive Level	1 μW Max.
Equivalent Series Resistance	40 KΩ Max.
Temperature Coefficient	-0.035±0.01 ppm/°C <sup>2</sup>
Motional Capacitance	0.0028 pF Typ.
Capacitance Ratio (C0/C1)	500 Typ.
Insulation Resistance	500 MΩ Min. @ DC100V±15V
Aging Rate (25°C±3°C)	± 5 ppm / Year Max.



\* We reserved the right to change the content anytime.