

Country of Origin : China  
 Operating Temperature : 0~40 [°C]  
 Dimension : 63.6 x 29.5 x 45.6 [mm]  
 Efficiency level (ErP) : VI



Approvals / Marks :



**Specifications**

Basic Models	Voltage DC [V]	Loading [A]	Max. Power [W]	Ripple / Noise [mV] p-p	Connector [mm]
SYS1381N-1205-Wxx	5	0~2.4	12	150	2.1x5.5x11
SYS1381N-1205-Wxx	5	0~2.4	12	150	1.7x5.5x11
SYS1381N-1205-Wxx	5	0~2.4	12	150	Micro USB
SYS1381N-1206-Wxx	6	0~2.0	12	150	2.1x5.5x11
SYS1381N-1207-Wxx	7,5	0~1.6	12	150	2.1x5.5x11
SYS1381N-1209-Wxx	9	0~1.33	12	150	2.1x5.5x11
SYS1381N-1212-Wxx	12	0~1.0	12	150	2.1x5.5x11
SYS1381N-1215-Wxx	15	0~0.8	12	180	2.1x5.5x11
SYS1381N-1218-Wxx	18	0~0.66	12	200	2.1x5.5x11
SYS1381N-1224-Wxx	24	0~0.5	12	250	2.1x5.5x11

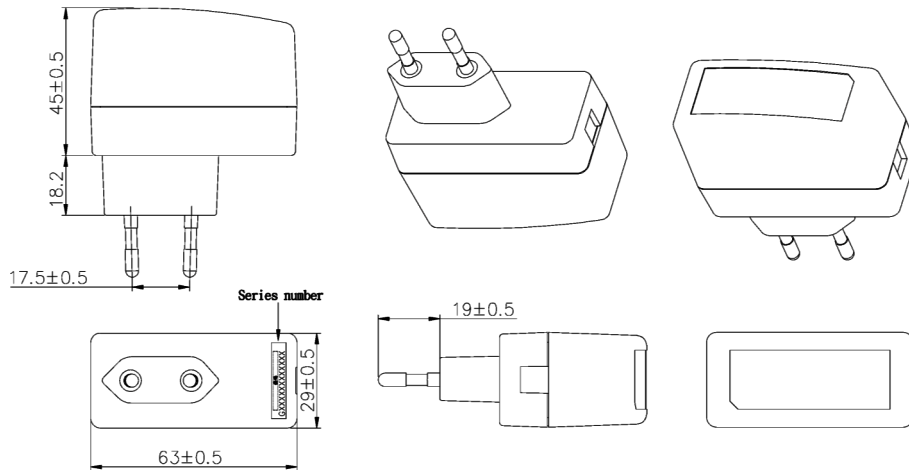
**Features:**

Certified plugs Wxx = W2E - Europe | W3U - England | W2 - USA, Canada, Japan, Taiwan | W2A - Australia | W2C - China

For all models, the minimum rising step of output voltage is 0.1V - 4.0V~24V 12W max | Private Label Marking Available | 2 Years Warranty

OUTPUT		CE	
Turn delay	5000ms max@AC low line input@output full load	EMC	2014/30/EU
Hold up time	10ms min@AC nominal input@output full load	LVD	2014/35/EU EN 60950-1:2006+A11+A1+A12+A2 EN 62368-1
Efficiency (Normal)	>79.94% min. Eff= 0.071 x ln(Po/1W) - 0.0014 x Po/1W + 0.67 Directive EU 2019/1782	SAFETY	CE   CB   TUV/GS
Transient response (dv,tmax)	0.3V dv max at AC nominal input loading from 50% load to max load or peak load. 16ms tmax Dynamic rise time 10 us max,duty 40ms max,Dynamic load step is slow rate of 0.5A/us	OTHERS	
Burn in limit	Ambient temp: 35C+/-3%; 80% load; input voltage 230V; 2 hours.	Dielectric Strength (Hi-pot)	HI-POT B / IEC 320 2pin primary to secondary 4000Vdc 10mA 1min
Power consumption	0.1W max. At AC nominal input@output min load	M.T.B.F	500,000 Calculated Hours at 25°C, by Telcordia SR-332
INPUT		Cable Length	1370mm (4.5 feet) standard cable or as required
Voltage	(90~264)VAC	PLD (power line disturbance)	Line power surge   Line voltage SAG-more info on request
Frequency	(47~63)hz	Cooling method	Natural Convection Cooling
Current	0.5A rms@AC low line input and DC output full load	Housing material	PC
Inrush Surge Current (cold start)	40/60A max@power supply cold start,ambient temperature 25°C @115Vac/230Vac nominal AC input	Temperature coefficient:	< ±0.5% / °C
leakage current	0.25 mA max	ENVIRONMENT	
PROTECTION		Temperature	Operating: 0~40°C / Storage: -20~85°C
Over current/ Short protection	The power supply will self-protect any output to ground, And auto recovery when abnormal circuit faults remove. An output short circuit is defined as any output impedance of less than 0.1 ohms.	Humidity	Operating: 8%~90%RH / Storage: 5%~95% RH non condensing
Over Voltage	The power supply will not be auto recovered when faults remove 110%-150%. (Voltage limit)	WEIGHT	
Input protection	F1:1A /250V Fuse. The power supply shall be protected against power line surges and any abnormal condition	NW:	85 g/pc
No Load protection	The power supply is provided with no load operation to prevent the power supply and system from damage.	Box:	11,5 kg
Protection class	II	PACKING	
		Box	100 pcs/1 box

**Mechanical case specification:**



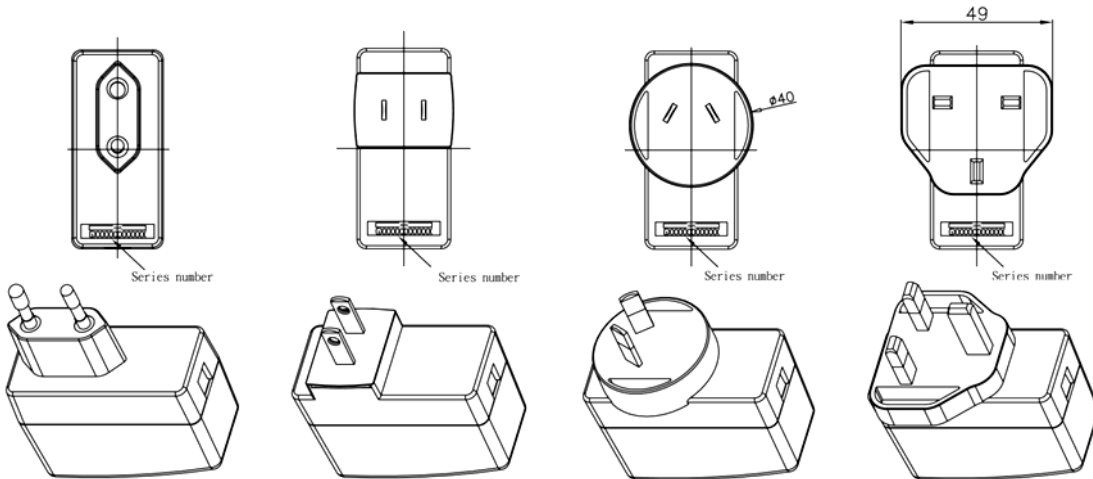
**Mechanical specification (country housing):**

Europe / Korea type (W2E/W2K)

US / Canada type (W2)

Australia type (W2A)

UK type (W3U)



**Cable specification:**

Connectors 2.1\*5.5\*11; 1.7\*5.5\*11; micro USB

Cable (2468#20\*2C / 4.5FT)

