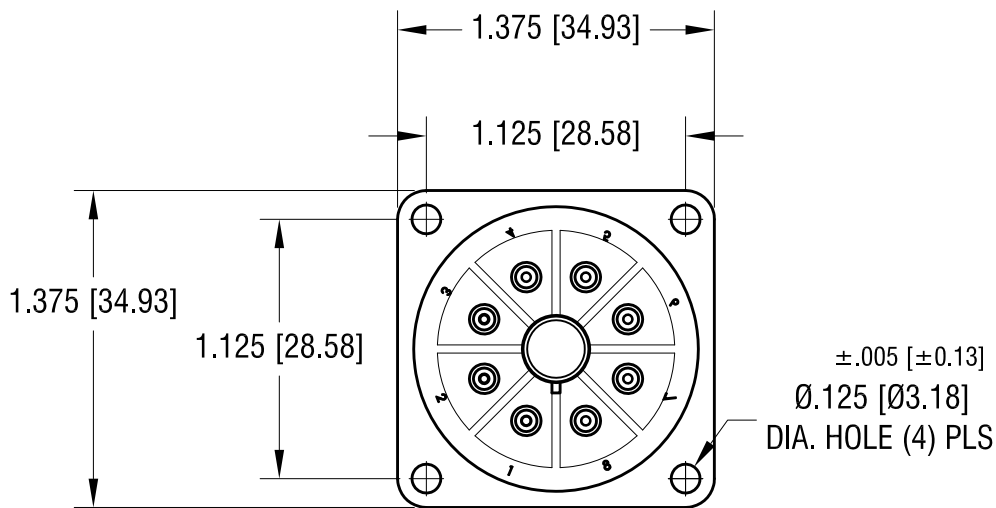
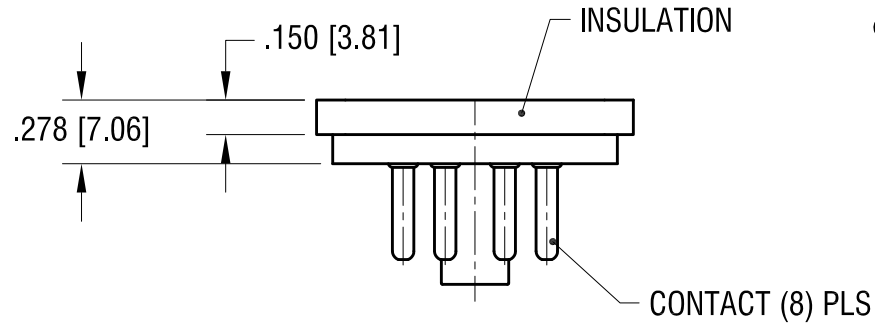
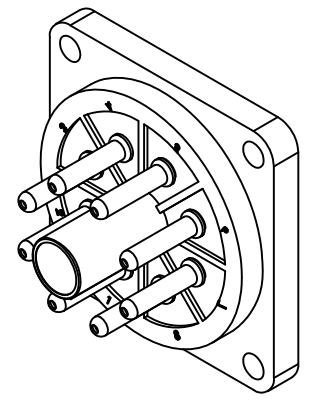


THIS DOCUMENT IS THE PROPERTY OF KEYSTONE ELECTRONICS CORP. AND SHALL NOT BE REPRODUCED, DISTRIBUTED OR USED AS A BASIS FOR MANUFACTURE WITHOUT PRIOR WRITTEN PERMISSION FROM KEYSTONE ELECTRONICS CORP.



NOTE:  
 1. INSULATION: MAT'L- PHENOLIC  
 2. CONTACT: MAT'L- BRASS  
 FINISH- NICKEL PLATE

<b>KEYSTONE ELECTRONICS CORP.</b>			
www.keyelco.com • ASTORIA, N.Y. 11105-2017 • Tel (718) 956-8900			
PART NAME		HEADER	
MATERIAL		AS NOTED	
FINISH		DRN BY	DATE
AS NOTED		NT	1.14.11
		APP'D	SCALE
		LN	1.2X
TOLERANCES	INCH [MM]	CODE	DWG NO.
DECIMAL	± .015 [± 0.38]	C/M	<b>681</b>
ANGULAR	± 1°		
UNLESS OTHERWISE SPECIFIED			

8.03.11	CHANGE AS PER ECN 11-098	A
DATE	DESCRIPTION	REV.