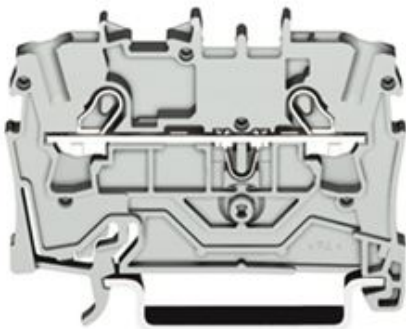

Item no.: 2001-1206
Product description: 2-CONDUCTOR THROUGH TERMINAL BLOCK SUITABLE FOR EX E APPLICATIONS



Produkt kann von Bild abweichen / product may differ

Packing unit 100 pieces

RoHS compliant

Weight	3.547 g
Current intensity EN	24 A
Cross section [mm ²]	0.25 - 1.5 mm ²
Cross section [AWG]	22 - 14 AWG
Connection method	CAGE CLAMP®S Connection
Cross section [mm ²]	0.25 - 2.5 mm ²
Cross section [AWG]	22 - 14 AWG
Wiring method	e+f
Connection method	CAGE CLAMP®S Connection
Measured voltage EN	800 V
Measured shock voltage	8 kV
Pollution degree	3
Current intensity EN	18 A
Color	yellow
Wiring type	Front-entry
No. of connection Points	2
No. of potentials	1
Height	33 mm
Height	1.299 in

Width	4.2 mm
Width	0.165 in
Depth	48.5 mm



Depth	1.909 in
Strip length from	9 mm
Strip length to	11 mm
Strip length	0.39 in
Customs Tariff No.	85369010
Country of Origin	Deutschland



Item no.	Admission office	Approval no.	Voltage [V]	Current [A]	Cross section [mm ²]
2001-1206	ABS	05-HG476175/3-PDA	800	18	0,5-2,5
2001-1206	AEX	E185892	550	15	22-14
2001-1206	CCA	NL6386	800	18/24	0,5-1,5/2,5
2001-1206	CSA	154112-1645434	600	15	22-14
2001-1206	DNV	E-10423	800	24	2,5
2001-1206	GL	26187-05HH	800	18	0,25-1,5
2001-1206	KEMA	2116586.01	800	18	0,5-2,5
2001-1206	LR	91/20112(E6)	800	18	0,25 -2,5
2001-1206	PRS	TE/1718/880590/08	800	18	0,5-2,5
2001-1206	PTB	IECExPTB05.0034U	550	16	0,5-2,5
2001-1206	PTB	PTB05ATEX1094U	550	16	0,5-2,5
2001-1206	RosTest	8189158	550	16	0,5-2,5
2001-1206	UR	E45172	600	15	22-14

Sorting criteria: admission office - approval number

© WAGO Kontakttechnik GmbH & Co. KG

Specifications are subject to changes and errors may be expected