



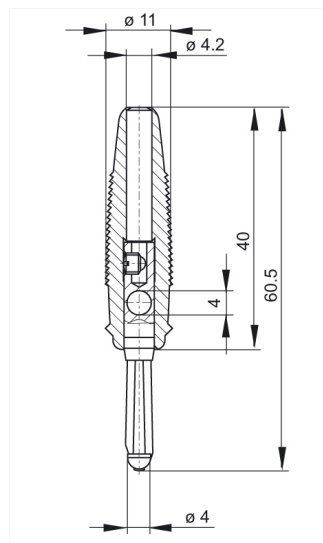
BUELA 20 K gruen/green

Industrial Connectors:Measuring and Testing Equipment:Plugs:4 mm system

Product description

Description	Multiple-spring wire plug, shatter-proof, flexible insulating sleeve with transverse hole. The tapering sleeve end also serves as kinking protection for the lead. Screw connection up to maximum cable cross-section of 1.5 mm ² . Nickel-plated brass contact material.
Type	BUELA 20 K gruen/green
Order No.	930 726-104
System	4 mm System
Housing Color	green
Other standard types	black color, order no. 930 726-100; red color, order no. 930 726-101; blue color, order no. 930 726-102; yellow color, order no. 930 726-103

Drawing



Technical data

Pin dimensions	4 mm
Type of contact	pin (spring loaded)
Type of termination	screw
Rated voltage	DC 60 V
Rated current	16 A
Contact resistance	3 mOhm

Material

Contact material	brass
Contact surface material	nickel-plated

Housing material PVC-P

Environmental conditions

Temperature range -25 °C to +70 °C

Inflammability class

Housing 94 V-2