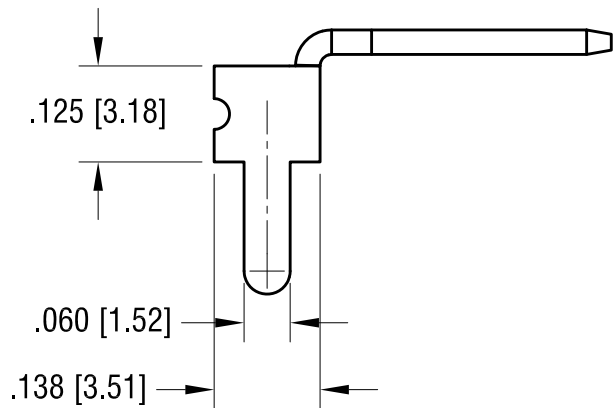
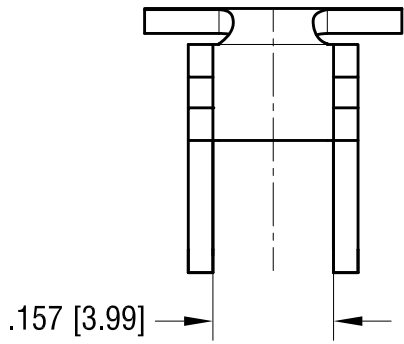
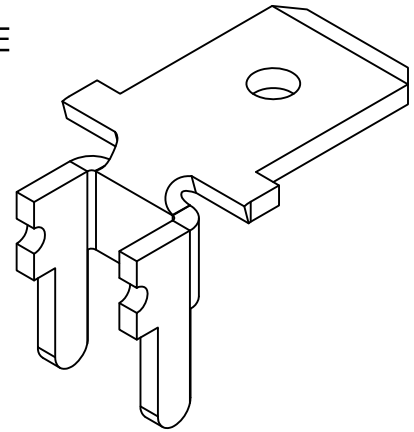
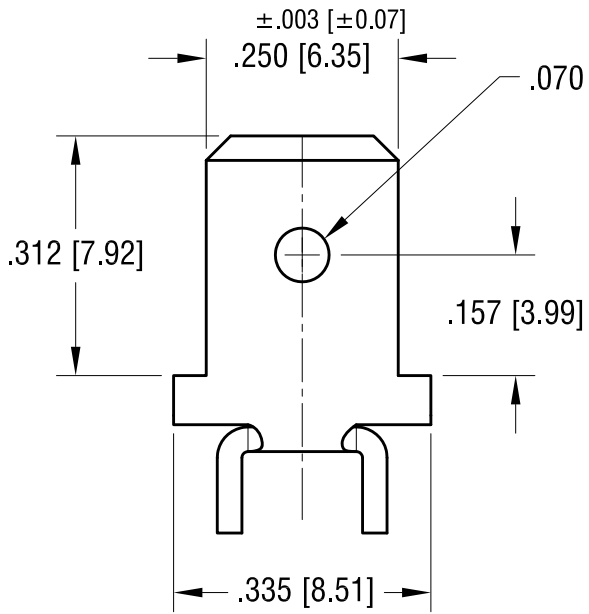
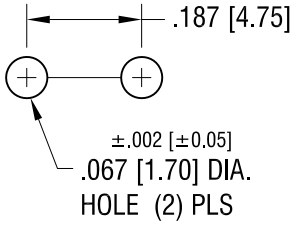


THIS DOCUMENT IS THE PROPERTY OF
KEYSTONE ELECTRONICS CORP. AND
SHALL NOT BE REPRODUCED, DISTRIBUTED
OR USED AS A BASIS FOR MANUFACTURE
WITHOUT PRIOR WRITTEN PERMISSION
FROM KEYSTONE ELECTRONICS CORP.

MOUNTING DETAIL



KEYSTONE ELECTRONICS CORP.			
www.keyelco.com • ASTORIA, N.Y. 11105-2017 • Tel (718) 956-8900			
PART NAME		PC QUICK-FIT TERMINAL	
MATERIAL		.032 [0.81] TH'K BRASS	
FINISH		DRN BY	DATE
MATTE TIN PLATE		NT	6.25.09
		APP'D	SCALE
		LN	4X
TOLERANCES	INCH	[MM]	CODE
DECIMAL	± .005	[± 0.15]	C
ANGULAR	± 1°		
UNLESS OTHERWISE SPECIFIED			DWG NO.
			4914

DATE	DESCRIPTION	REV.