



SPECIFICATIONS SHEET

PRODUCT TYPE : MAGNETIC TRANSDUCER
PRODUCT SERIES : DBX
DESCRIPTION : MT TRANSDUCER 5V PIN NORYL
ROHS COMPLIANT
COLOR : BLACK

ELECTRICAL SPECIFICATIONS

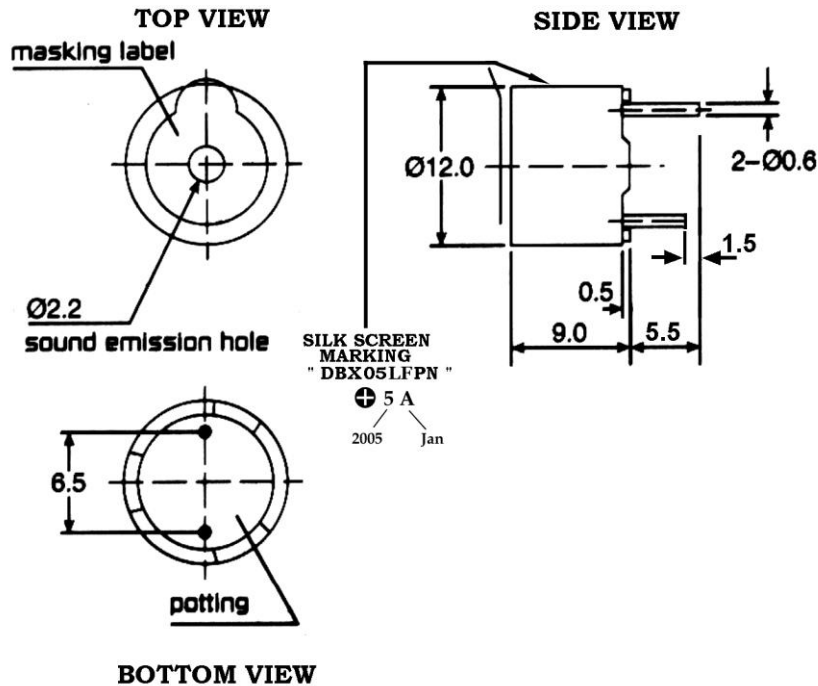
MODEL NO.		DBX05LFPN
OPERATING VOLTAGE RANGE	(V)	3.0 ~ 8.0
RATED VOLTAGE	(V)	5.0
+ MAX. RATED CURRENT	(mA)	40.0
COIL RESISTANCE	(Ω)	47.0 ± 5.0
* COIL IMPEDANCE	(Ω)	80.0
+ MIN. SOUND OUTPUT AT 10 cm	(dBA)	85.0
RESONANT FREQUENCY	(Hz)	2400
OPERATING TEMPERATURE	(°C)	- 40.0 ~ + 85.0
TERMINAL		PIN
HOUSING MATERIAL		NORYL
WEIGHT	(g)	2.0

+ Value applying rated voltage resonant frequency, 1/2 duty , square wave


* Value applying resonant frequency, 1/2 duty , square wave , measuring current 60uA

DIMENSIONS

UNIT : mm



Approved By : 
Date : 13-Jun-2006

Prepared By : 
Date : 13-Jun-2006

Modify :	Date :	By :