



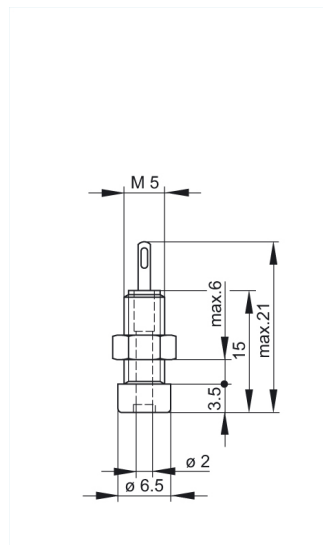
## MBI 1 rot/red

Industrial Connectors:Measuring and Testing Equipment:Sockets:2 mm system

### Product description

Description	2 mm diameter miniature socket, insulated, tin-plated copper beryllium contact spring, with solder connection. Suitable for installation in equipment chassis and switch panels up to a maximum wall thickness of 5 mm.
Type	MBI 1 rot/red
Order No.	930 308-101
System	2 mm system
Housing Color	red
Other standard types	black color, order no. 930 308-100; blue color, order no. 930 308-102; yellow color, order no. 930 308-103; green color, order no. 930 308-104; grey color, order no. 930 308-106

### Drawing



### Technical data

Type of contact	socket (spring loaded)
Type of termination	soldered
Rated voltage	DC 60 V
Rated current	6 A
Contact resistance	6 mOhm
Mounting	screw

### Material

Contact material	copper beryllium
------------------	------------------

Contact surface material	tin-plated
Housing material	PA
<b>Environmental conditions</b>	
Temperature range	-20 °C to +60 °C
<b>Inflammability class</b>	
Housing	94 HB