
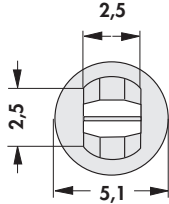
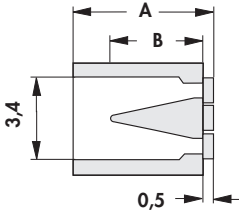

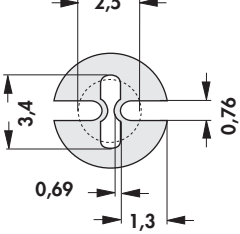
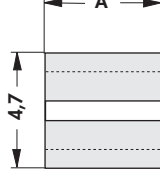


Spacers for LED

– universal mount for LED Ø 3 mm and 5 mm, self retaining

					
art. no.	B [mm]	dim. [mm] A	art. no.	B [mm]	dim. [mm] A
MAH 31	1.5	3.1	MAH 71	4.7	7.1
MAH 41	1.5	4.1	MAH 81	4.7	8.1
MAH 51	1.5	5.1	MAH 89	4.7	8.9
MAH 61	1.5	6.1	MAH 99	7.9	9.9
insulating body material:	MPPS, black				
temperature range:	-40°C...+240°C/ (260°C/5 s)				
class of flammability:	UL 94 V-0				

					
art. no.	dim. [mm] A		art. no.	dim. [mm] A	
MAH 401	1		MAH 406	6	
MAH 402	2		MAH 407	7	
MAH 403	3		MAH 408	8	
MAH 404	4		MAH 409	9	
MAH 405	5		MAH 410	10	
insulating body material:	PVC Blend, black				
temperature range:	-40°C... +85°C				
class of flammability:	UL 94 V-0				

Connector-sleeves → F 19 – 20
 LED-holders for front panel assembly → L 4
 Fourfold-LED-holders → L 7
 Horizontale Lichtleiter → L 9

LED-holders for PCB assembly → L 5 – 7
 Sockets for LED → F 5 – 6
 Light pipes for SMDs, vertical → L 8 – 9

A
B
C
D
E
F
G
H
I
K
L
M
N