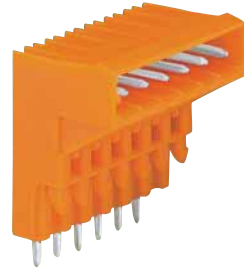
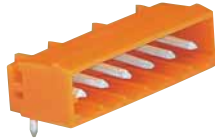
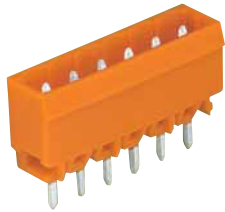


7 MULTI CONNECTION SYSTEM **MIDI**

Headers with Solder Pins, Pin Spacing 5.08 mm / 0.2 in

30

Pin spacing 5.08 mm/0.2 in, orange 250 V/4 kV/3 300 V, 10 A ① ② ③ 12 A ①/16 A ② 300 V, 15 A ② ③ ④	Pin spacing 5.08 mm/0.2 in, orange 250 V/4 kV/3 300 V, 10 A ① ② ③ 12 A ①/16 A ② 300 V, 15 A ② ③ ④	Pin spacing 5.08 mm/0.2 in, orange 250 V/4 kV/3 300 V, 10 A ② 12 A 300 V, 10 A ③
* ① ② ③ ④ VDE KEMA ⑤ ⑥ CCA ⑦ ⑧ GL BV LR ⑨ ⑩ ABS	* ① ② ③ ④ VDE KEMA ⑤ ⑥ CCA ⑦ ⑧ GL BV LR ⑨ ⑩ ABS	* ① ② ③ ④ VDE KEMA ⑤ ⑥ CCA ⑦ ⑧ GL BV LR ⑨ ⑩ ABS



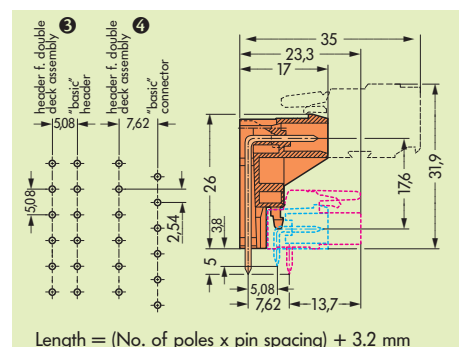
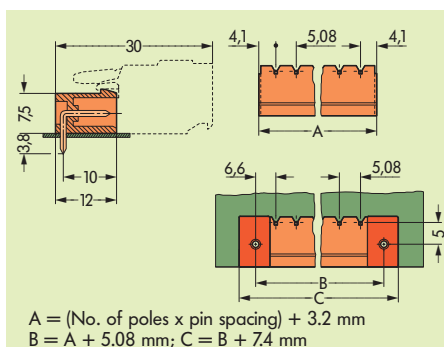
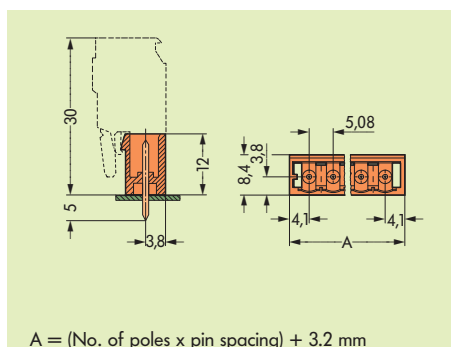
No. of poles	Item No.	Item No.	No. of poles	Item No.	Item No.	No. of poles	Item No.
Headers with straight solder pins, orange,			Headers with right angle solder pins, orange,			Headers for double deck assembly	
solder pin	1 mm x 1 mm ①	1.2 mm x 1.2 mm ②	solder pin	1 mm x 1 mm ①	1.2 mm x 1.2 mm ②	with right angle solder pins, orange,	
2	231-332/001-000	231-362/001-000	2	231-532/001-000	231-562/001-000	solder pin	1 mm x 1 mm
3	231-333/001-000	231-363/001-000	3	231-533/001-000	231-563/001-000	2	232-362
4	231-334/001-000	231-364/001-000	4	231-534/001-000	231-564/001-000	3	232-363
5	231-335/001-000	231-365/001-000	5	231-535/001-000	231-565/001-000	4	232-364
:	:	:	:	:	:	6	232-366
:	:	:	:	:	:	8	232-368
:	:	:	:	:	:	10	232-370
12	231-342/001-000	231-372/001-000	12	231-542/001-000	231-572/001-000	12	232-372
:	:	:	:	:	:		
:	:	:	:	:	:	16	232-376
:	:	:	:	:	:		
21	231-351/001-000	231-381/001-000	21	231-551/001-000	231-581/001-000		
22	231-352/001-000	231-382/001-000	22	231-552/001-000	231-582/001-000		
23	231-353/001-000	231-383/001-000	23	231-553/001-000	231-583/001-000		
24	231-354/001-000	231-384/001-000	24	231-554/001-000	231-584/001-000		

Female connectors with locking devices cannot be used.

Accessories

Coding key, snap-on type, light grey 231-129	Coding key, snap-on type, light grey 231-129	Coding key, snap-on type, light grey 231-129 f. coding double deck ass. headers
Separator, for formation of groups, light grey 231-500	Separator, for formation of groups, light grey 231-500	Separator, for formation of groups, light grey 231-500
	Fixing element, horizontal, orange 231-393	Code pin, push-in type, light grey 231-160 for coding the lower header
	Screw M 2 x 12 with nut 231-195 for fixing element	Attention! The solder pins of closed end headers for double deck assembly and lower headers are in line (see diagram below) ③. The solder pins of closed end headers for double deck assembly and lower female connectors are staggered by half a pin spacing (see diagram below) ④.
	Tapping screw, B 2.2 x 13 231-194 fixing hole Ø 1.8 mm	

Dimensions (in mm) Diameter of drilled hole: 1.4^{+0.1}mm (solder pin 1 mm x 1 mm); 1.7^{+0.1}mm (solder pin 1.2 mm x 1.2 mm)



* Approvals with corresponding ratings see pages 12.3 ff.