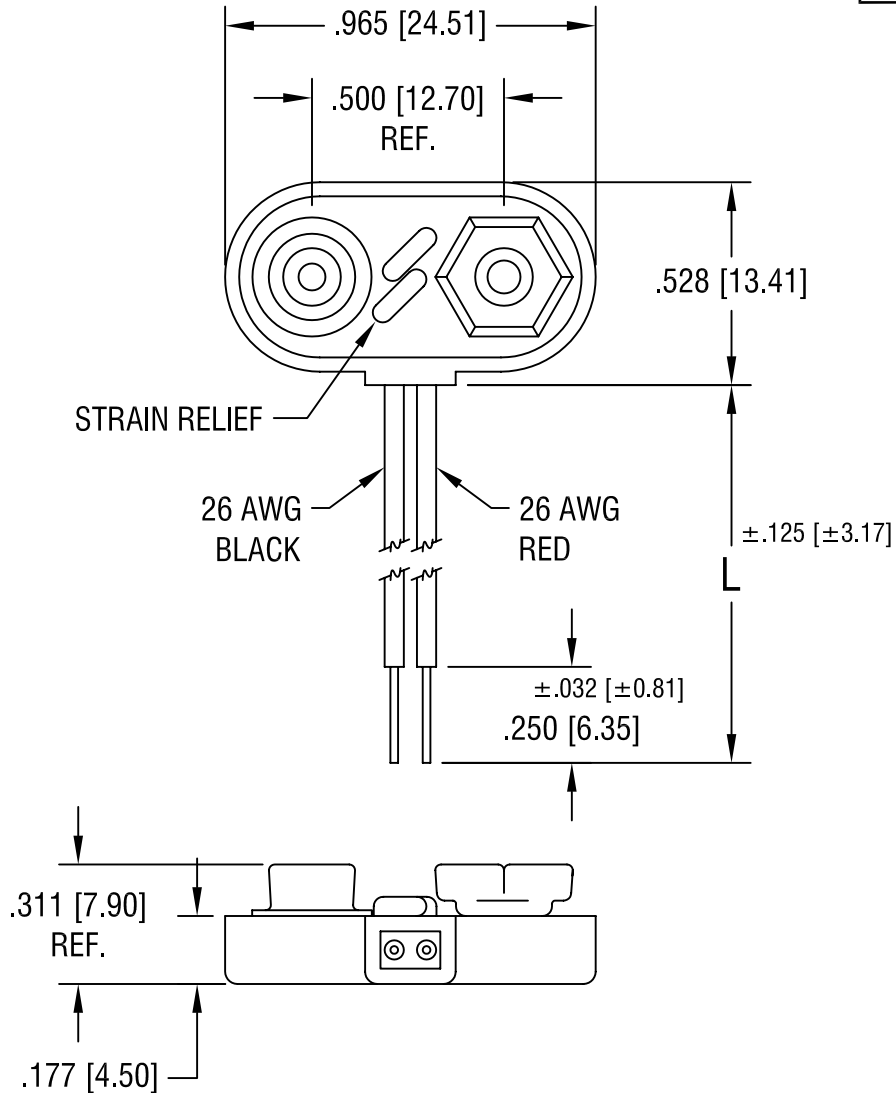


THIS DOCUMENT IS THE PROPERTY OF  
KEYSTONE ELECTRONICS CORP. AND  
SHALL NOT BE REPRODUCED, DISTRIBUTED  
OR USED AS A BASIS FOR MANUFACTURE  
WITHOUT PRIOR WRITTEN PERMISSION  
FROM KEYSTONE ELECTRONICS CORP.



**NOTE:**

1. MAT'L:  
WIRE: 26 AWG, 1007 UL/CSA APPROVED  
CONTACTS: BRASS, NICKEL PLATE  
COVER: MOLDED ABS
2. RED WIRE CONNECTED TO FEMALE CONTACT;  
BLACK WIRE CONNECTED TO MALE CONTACT.

| PART NO. | 'L' DIM.       |
|----------|----------------|
| 235-M    | 4.000 [101.60] |
| 236-M    | 6.000 [152.40] |
| 237-M    | 8.000 [203.20] |

**KEYSTONE ELECTRONICS CORP.**

ASTORIA, N.Y. 11105-2017

|  |                 |                 |                  |
|--|-----------------|-----------------|------------------|
| PART NAME<br>MOLDED ECONOMY '9' VOLT BATTERY STRAP |                 |                 |                  |
| MATERIAL<br>AS NOTED                               |                 |                 |                  |
| FINISH<br>AS NOTED                                 |                 | DRN BY<br>BOONE | DATE<br>11.16.05 |
|  |                 | APP'D           | SCALE<br>2X      |
| TOLERANCES   | INCH [MM]       | CODE            | DWG NO.          |
| DECIMAL  | ± .020 [± 0.50] | C/M             | 235-M - 237-M    |
| UNLESS OTHERWISE SPECIFIED                         |                 |                 |                  |

| DATE | DESCRIPTION | REV. |
|------|-------------|------|
|      |             |      |