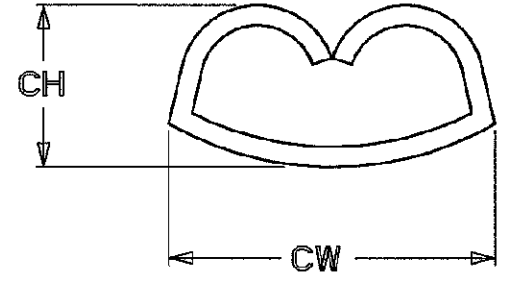
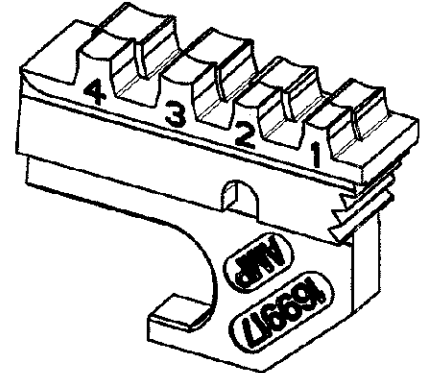
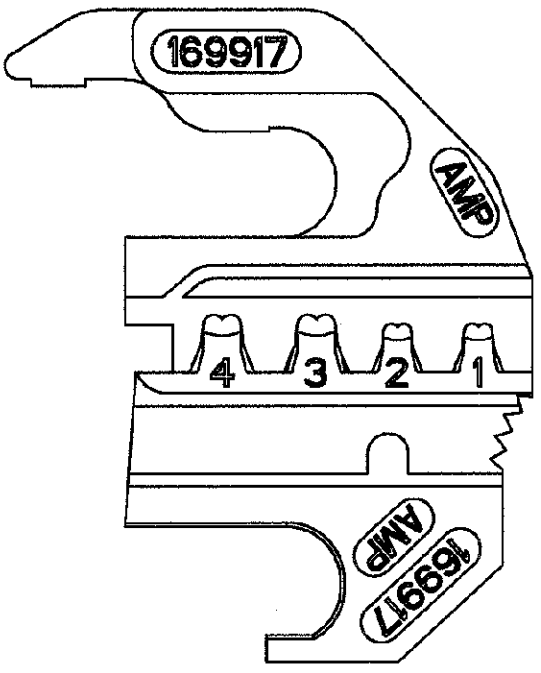
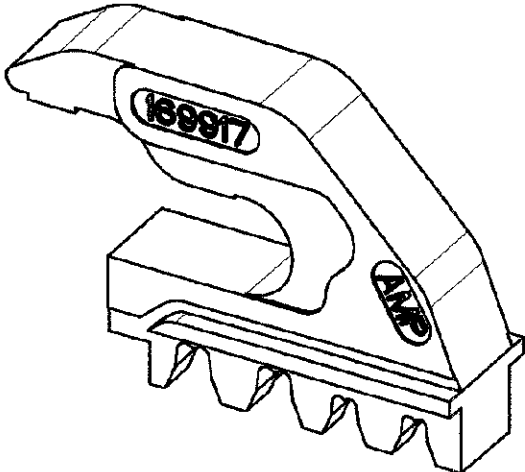


LOC	DIST	REVISIONS			
		LTR	DESCRIPTION	DATE	APVD
H	-	A00	REDRAWN	28 NOV 97	-
		--	--	--	--
		--	--	--	--



CH = CRIMP HEIGHT
 CW = CRIMP WIDTH

PROF	CONTACT	WIRE RANGE	INS. RANGE	wire CH	wire CW
1	927779	0,5 - 1,0 mm ²	1,4 - 2,0 mm	1,28±0,05	2,00
2	927783	0,5 - 1,0 mm ²	2,0 - 2,7 mm	1,28±0,05	2,00
3	927777	1,25 - 2,5 mm ²	2,1 - 2,9 mm	1,60±0,05	2,80
4	927781	1,25 - 2,5 mm ²	2,7 - 3,7 mm	1,60±0,05	2,80

THIS DRAWING IS A CONTROLLED DOCUMENT FOR AMP HOLLAND B.V. IT IS SUBJECT TO CHANGE AND THE CONTROLLING ENGINEERING ORGANIZATION SHOULD BE CONTACTED FOR THE LATEST REVISION.

DIMENSIONS: mm	TOLERANCES UNLESS OTHERWISE SPECIFIED:
	0 PLC ± -
	1 PLC ± -
	2 PLC ± -
	3 PLC ± -
	4 PLC ± -
	ANGLES ± 0,2°
MATERIAL	FINISH

1				
Item no.	Description	Material	Finish	
DWN	FH.			
CHK	-			
APVD	-			
PRODUCT SPEC	-			
APPLICATION SPEC	-			
WEIGHT	-			
NAME		AMP	AMP Communication Equipment Business Unit 's-Hertogenbosch, The Netherlands	
NAME		DIE SET for type III/XII contacts		
SIZE	CAGE CODE	DRAWING NO		
A3	00779	C- 169917		
SCALE		21	SHEET	1 OF 1
				REV A00