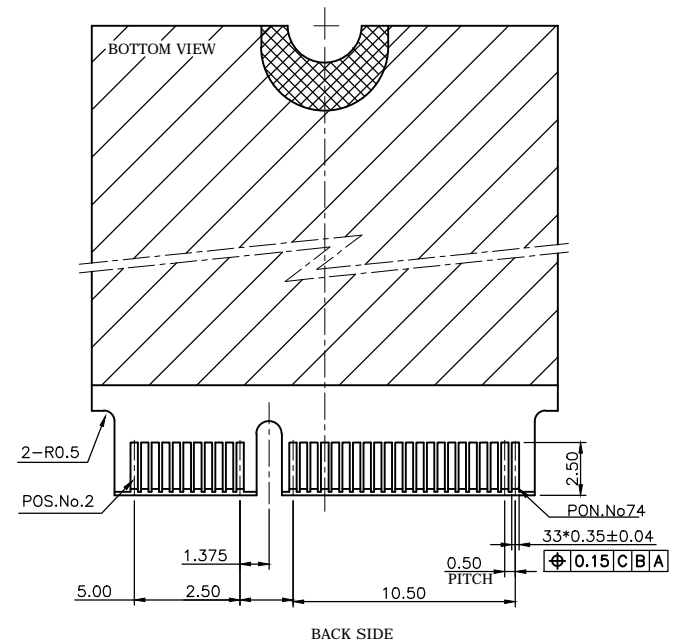
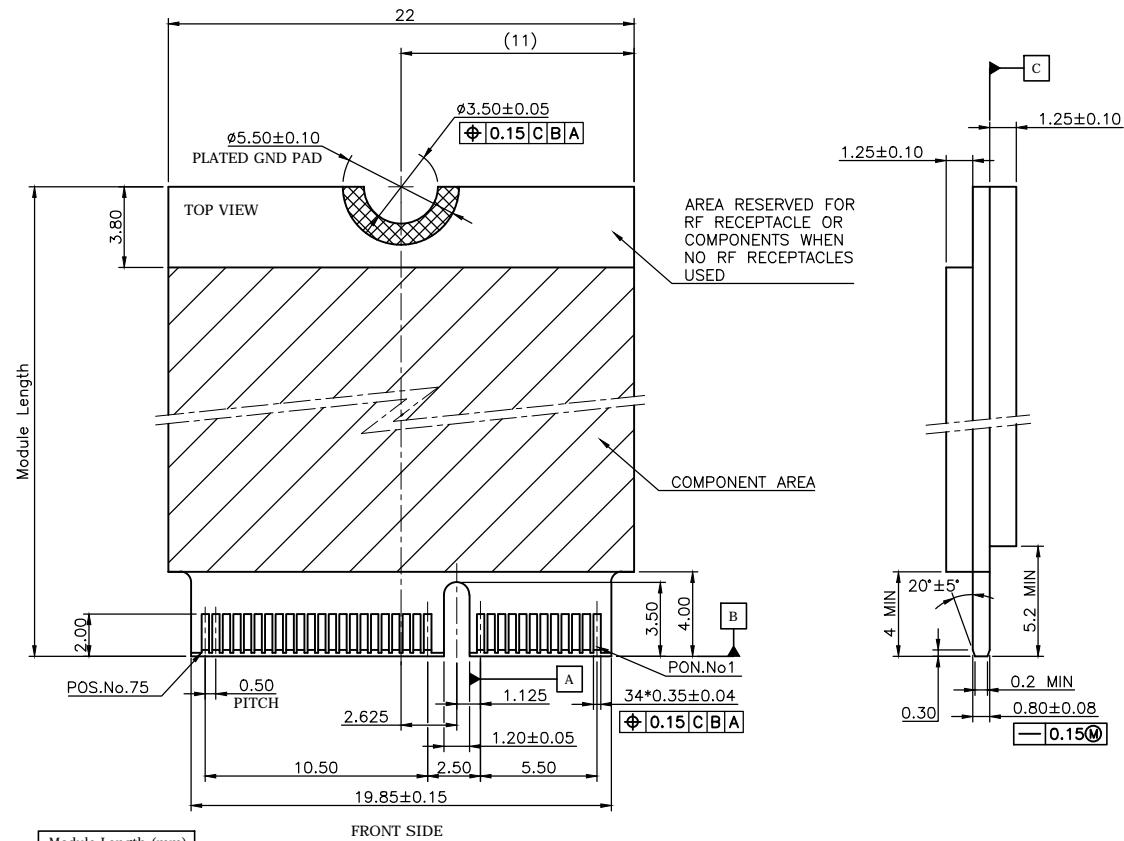



REV.	DESCRIPTION	DRAWN	DATE
1	INITIAL RELEASE	FROS	2019/01/09
1.1	Corrected	FROS	2019/09/11



Module Length (mm)
42
60
80
110

KEY ID "E"
RECOMMENDED MODULE LAYOUT

UNLESS OTHERWISE SPECIFIED TOLERANCE					
UNIT:	DECIMAL	LINEAR	ANGLES		
mm	X.	±0.50	±5°	www.attend.com.tw	
	X.X	±0.25	±3°		
	X.XX	±0.12	±1°		
DRAWN	Fros	2019/01/09	DRAWN NAME:		
CHECKED	Tim	2019/01/09	PCI Express M.2 Specification Module Dimensions		
APPROVED	Ken	2019/01/09	PRODUCT NO.	N/A	
SCALE 2.8		SHEET 3/4	SIZE A4	FILE NAME	123A-CARD_B_1.1

REV.	DESCRIPTION	DRAWN	DATE
1	INITIAL RELEASE	TIM	2018/01/19

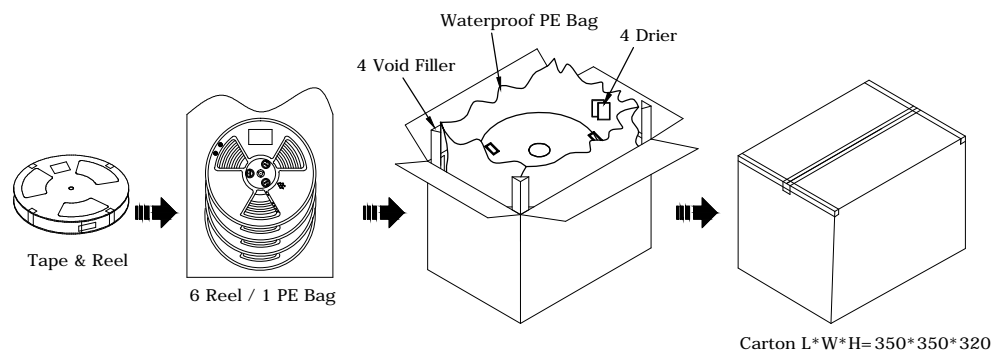
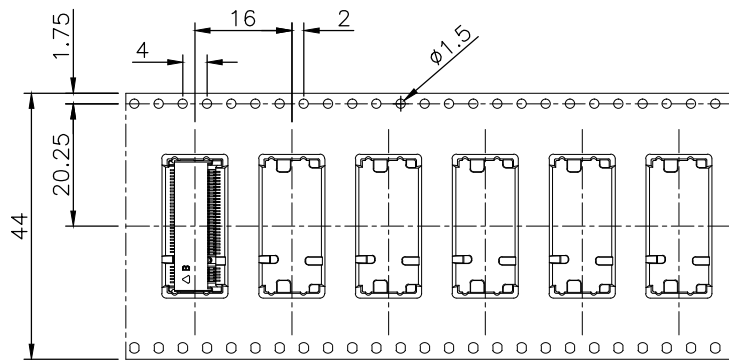
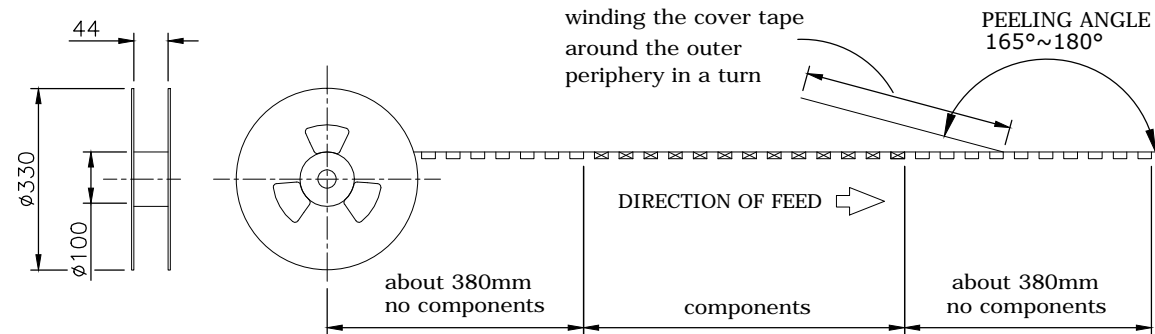
PACKAGING SPECIFICATION:


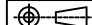
1. MATERIAL

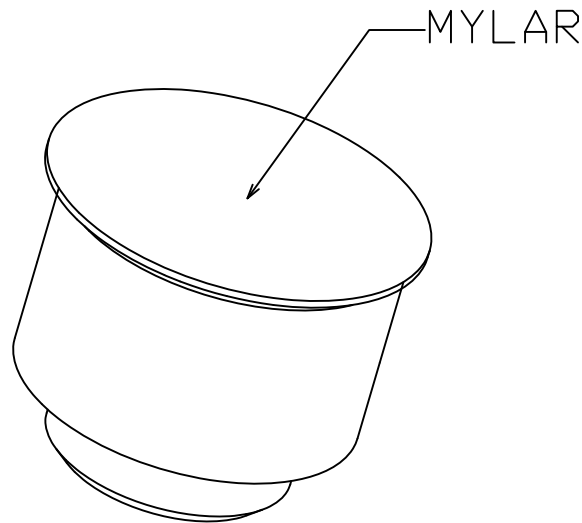
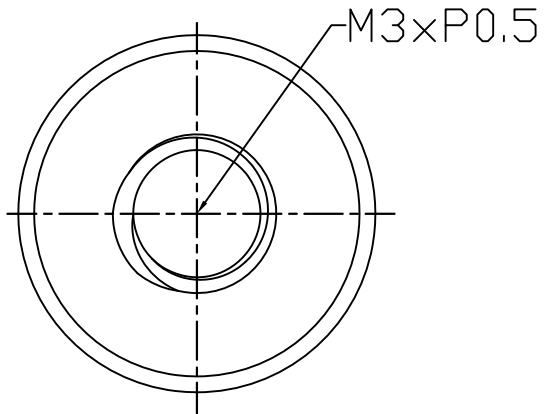
- 1.1 Embossed Carrier Tape: PS Black
- 1.2 Top Cover Tape: PET
20-80g(Peel Speed 300mm/Minute)
- 1.3 Taping Reel: Plastic

2. Packaging:

P/N	Height	Reel	Carton
123A-21X00	2.15	1200	7200
123A-30X00	3.05	900	5400
123A-40X00	4.05	700	4200
123A-58X00	5.80	600	3600

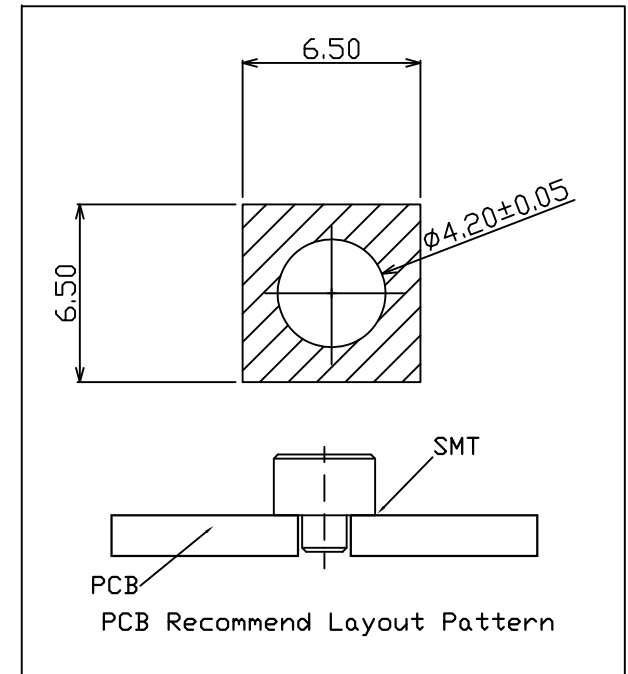
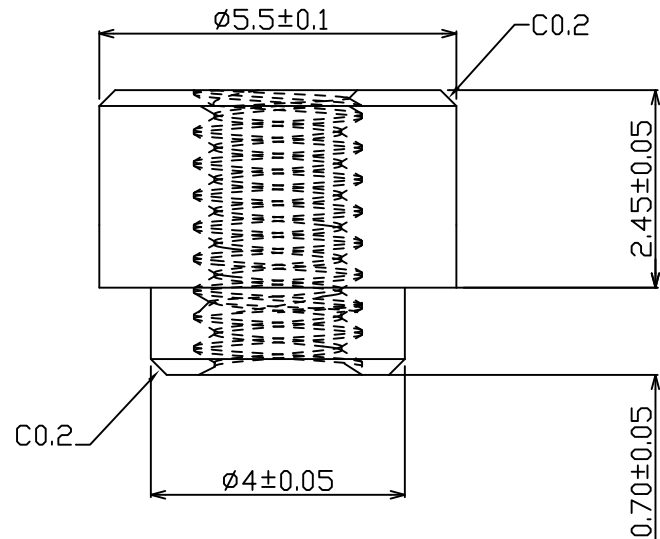


UNLESS OTHERWISE SPECIFIED TOLERANCE					
UNIT:	DECIMAL	LINEAR	ANGLES		
mm	X.	±0.50	±5°	WWW.ATTEND.COM.TW	
	X.X	±0.25	±3°		
	X.XX	±0.12	±1°		
DRAWN	Tim	2018/01/19	DRAWN NAME: M.2 CONNECTOR PACKAGING		
CHECKED	Fros	2018/01/19			
APPROVED	Ken	2018/01/19	PRODUCT NO.	123A-XXX00	
	SCALE 0.8	SHEET 1/1	SIZE A4	FILE NAME	123A-XXX00_D_1



NOTE:

- 1.MATERIAL: Copper Alloy
- 2.Plating: Sn.



						UNLESS OTHERWISE SPECIFIED TOLERANCE			 www.attend.com.tw	
						ANGLES	ANG.	$\pm 5^\circ$		
						LINEAR	0.	± 0.3		
							0.00	± 0.25		
						SCALE	AS SHOWN	UNIT: mm		
						DRAWN	Willis	2013/11/13	DRAWN NAME:	
						CHECKED	Angel	2013/11/13	M.2 Connector Stand Off	
						APPROVED	Ken	2013/11/13	PRODUCT NO.	123A-NUT-42
REV.	DESCRIPTION		DATE	REV.	DESCRIPTION		DATE	SIZE	REV.	FILE NAME
1				4				A4	1.0	123A-NUT-42_B_1

A

A

A

A

A

A

