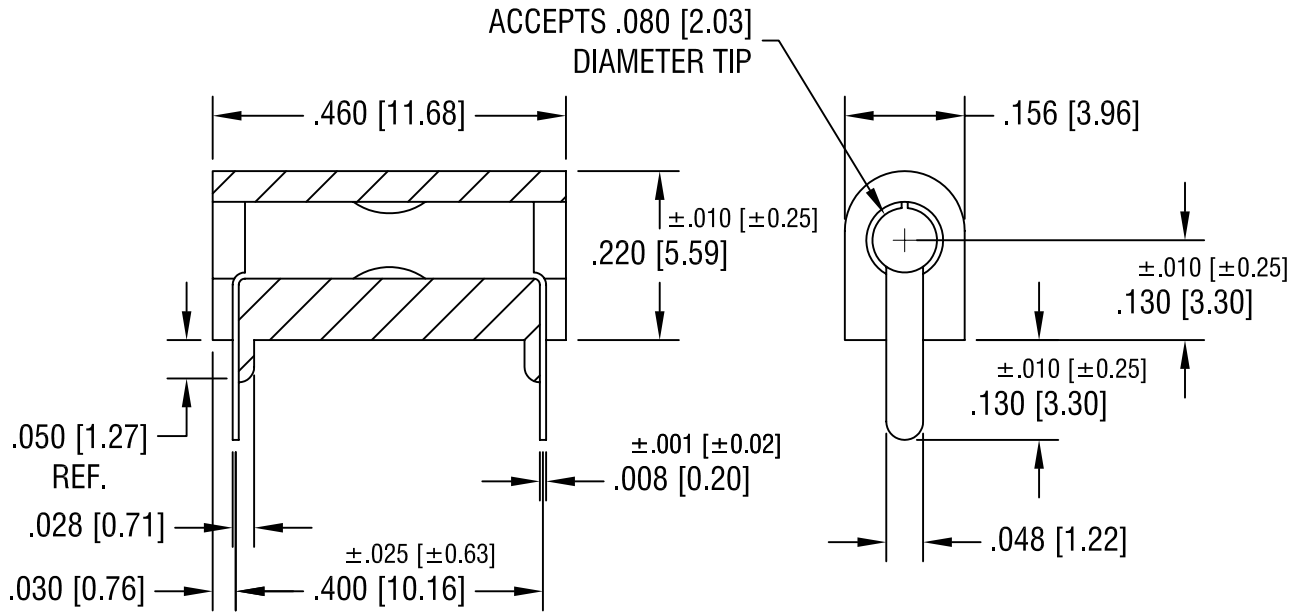


THIS DOCUMENT IS THE PROPERTY OF KEYSTONE ELECTRONICS CORP. AND SHALL NOT BE REPRODUCED, DISTRIBUTED OR USED AS A BASIS FOR MANUFACTURE WITHOUT PRIOR WRITTEN PERMISSION FROM KEYSTONE ELECTRONICS CORP.



NOTES:

1. BODY: MAT'L - NYLON
CONTACT: MAT'L - BERYLLIUM COPPER
FINISH - SILVER PLATE
2. MOUNTING HOLES: .052 [1.32] DIA.

PART NO.	BODY COLOR
6066	WHITE
6067	RED
6068	BLACK
6069	YELLOW
6070	GREEN
6071	BLUE

KEYSTONE ELECTRONICS CORP.

ASTORIA, N.Y. 11105-2017

PART NAME LOW PROFILE HORIZONTAL PC TEST JACK			
MATERIAL AS NOTED			
FINISH AS NOTED		DRN BY BOONE	DATE 12.14.03
		APP'D LN	SCALE 4X
TOLERANCES	INCH [MM]	CODE	DWG NO.
DECIMAL	± .005 [± 0.15]	C	6066 - 6071
ANGULAR	± 1°		
UNLESS OTHERWISE SPECIFIED			

7.8.05	CHANGE AS PER ECN 05-045	C
DATE	DESCRIPTION	REV.