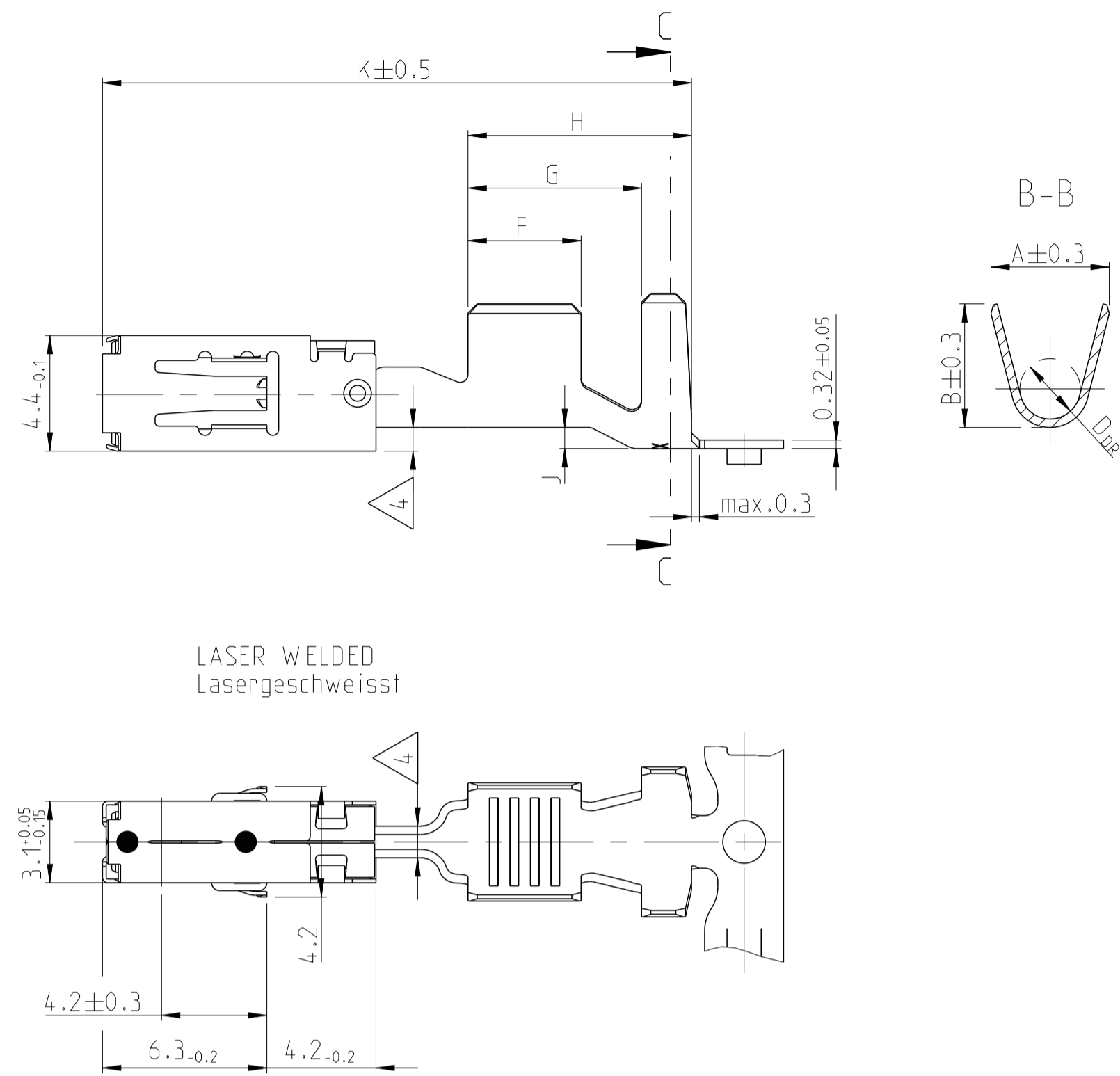
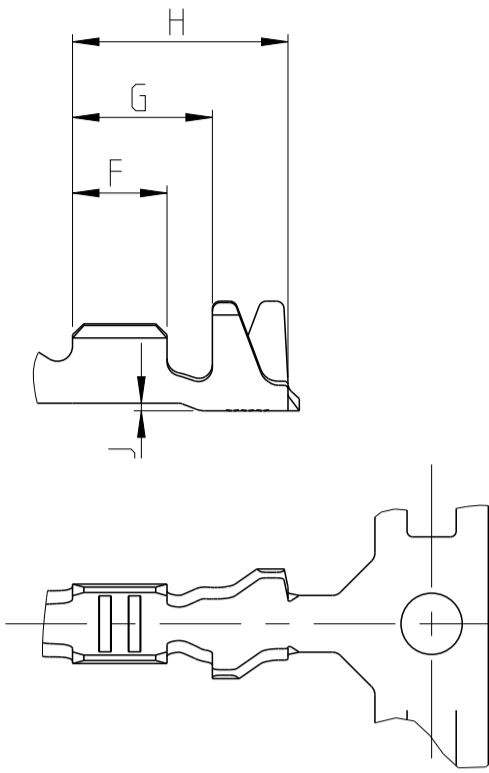


STANDARD CRIMP

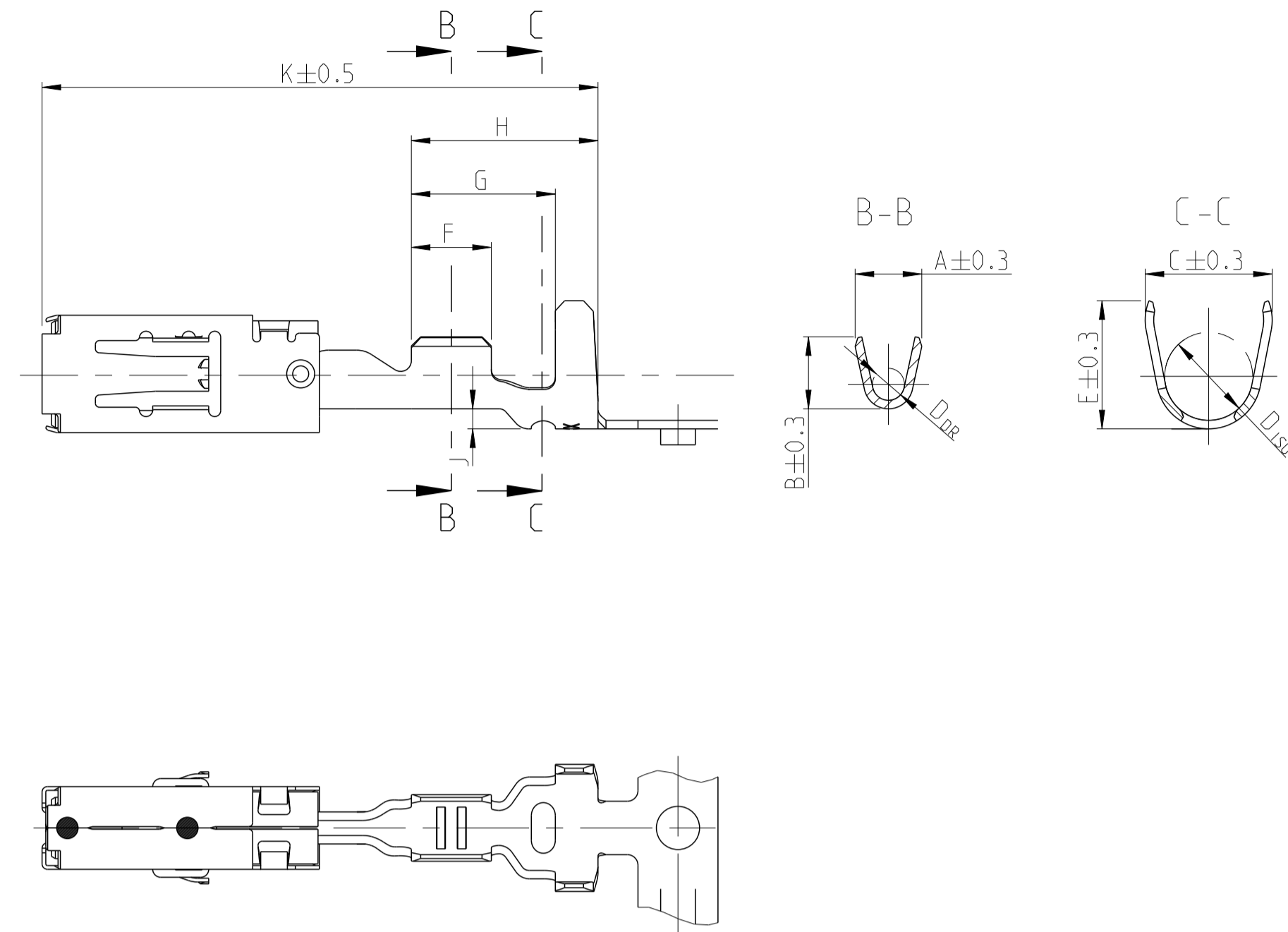


LASER WELDED
Lasergeschweisst

ONLY FOR WIRE SIZE RANGE
Nur fuer DGB
0.2 ... 0.5 mm²



SINGLE WIRE SEAL Einzeldichtungssystem



REVISIONS					
REV	LTN	DESCRIPTION	DATE	DMN	APVD
J7	1-968855-4, 1-968857-4, 1-968859-4	REMOVED ECR-13-010695	20AUG2013	Leim	Leim
J8		DRAWING MISTAKE CORRECTED ECR-14-001420	30JAN2014	Abt	Leim
J9		DRAWING MISTAKE CORRECTED ECR-14-003309	05MAR2014	Bren	Leim
J10		ECR-14-010789	18JUL2014	Joas	Leim

VERSION	Ausfuhrung	ORDER-NO. STRIP-FORM	Bestell-Nr. Bandware	REV	MATERIAL	BODY	SPRING	SURFACE	WIRE SIZE RANGE	INSULATION DIAMETER	CRIMP DIMENSIONS / Crimpabmessungen mm											WEIGHT	SINGLE WIRE SEAL	TE CONNECTIVITY NO.	APPLICATION TOOLS											
											A	B	D _{DR}	C	E	D _{ISO}	F	G	H	J	K					g	Einzel-dichtung	Blindstopfen	Verarbeitungswerkzeuge							
SINGLE WIRE SEAL / Einzeldichtung	1-1719506-3	A				SILVER PLATED versilbert			12 AWG	3.0 - 3.8	4.0	4.2	2.0	5.0	5.0	3.5	3.5	5.9	7.5	0.8	21.0	0.59	828905-1	828922-1	SEE APPLICATION SPECIFICATION 114-18148 siehe Verarbeitungsspezifikation 114-18148											
	1-1719506-1	A				PRE TIN PLATED verzinkt																														
	1-968859-3	E				SILVER PLATED versilbert			4	3.4 - 3.7	4.5	4.7	2.3	6.0	6.0	4.3	4.3	6.9	8.5	1.25	22.6	0.65	828985-1	828986-1												
	1-968859-2	-				GOLD PLATED vergoldet																														
	1-968859-1	E				PRE TIN PLATED verzinkt																														
	1-968857-3	E				SILVER PLATED versilbert			1.5	2.2 - 3.0	3.6	3.8	1.7	5.0	5.0	3.5	3.5	5.9	7.5	0.8	21.0	0.58	828905-1	828922-1												
	1-968857-2	D				GOLD PLATED vergoldet			2.5																											
	1-968857-1	E				PRE TIN PLATED verzinkt																														
	1-968855-3	E				SILVER PLATED versilbert			0.5	1.4 - 2.1	2.5	2.7	1.2	4.8	4.8	3.3	3.0	5.4	7.0	0.75	21.0	0.54	828904-1	828922-1												
	1-968855-2	E				GOLD PLATED vergoldet			1.0																											
	1-968855-1	E				PRE TIN PLATED verzinkt																														
	1-968882-3	E				SILVER PLATED versilbert			0.2	1.2 - 1.4	2.1	2.1	0.8	4.5	4.5	3.2	2.5	4.9	6.5	0.75	21.0	0.52	828904-1	828922-1												
	1-968882-2	E				GOLD PLATED vergoldet			0.5																											
	1-968882-1	E				PRE TIN PLATED verzinkt																														
	STANDARD CRIMP	1-968853-3	E				SILVER PLATED versilbert			4	2.7 - 3.7	4.5	4.7	2.3	5.7	5.9	3.3	4.3	6.6	8.5	0.8	22.6	0.65	-					-							
		1-968853-2	-				GOLD PLATED vergoldet																													
1-968853-1		E				PRE TIN PLATED verzinkt																														
1-968851-3		E				SILVER PLATED versilbert			1.5	2.2 - 3.0	3.6	3.8	1.7	4.6	4.8	2.6	3.5	5.1	6.7	0.3	20.2	0.56	-	-												
1-968851-2		E				GOLD PLATED vergoldet			2.5																											
1-968851-1		E				PRE TIN PLATED verzinkt																														
1-968849-3		E				SILVER PLATED versilbert			0.5	1.4 - 2.1	2.5	2.7	1.2	3.3	3.5	1.8	3.0	4.6	6.2	0.2	20.2	0.51	-	-												
1-968849-2		E				GOLD PLATED vergoldet			1.0																											
1-968849-1	E				PRE TIN PLATED verzinkt																															
1-968880-3	E				SILVER PLATED versilbert			0.2	1.2 - 1.4	2.1	2.1	0.8	2.9	2.9	1.4	2.5	3.7	5.7	0.2	20.2	0.48	-	-													
1-968880-2	-				GOLD PLATED vergoldet			0.5																												
1-968880-1	E				PRE TIN PLATED verzinkt																															

- NOTES:
Bemerkungen:
- MATING PART SEE INTERFACE DRAWING
TE-NO.: 114-18230-002
Gegenstecker nach Ausfuhrungsvorschrift
TE-Nr.: 114-18230-002
 - SURFACE:
- PRE TIN PLATED 1 TO 3 µm
- GOLD PLATED MIN. 2 µm (ONLY CONTACT AREA)
- SILVER PLATED 3 TO 5 µm (ONLY CONTACT AREA)
Oberflaeche:
- verzinkt 1 bis 3 µm
- vergoldet min. 2 µm (nur Kontaktzone)
- versilbert 3 bis 5 µm (nur Kontaktzone)
 - DOUBLE CRIMPS ARE ONLY POSSIBLE WITH APPLICATORS AUTHORIZED BY TE (NO HAND TOOL)
SUITABLE TOOLS ON REQUEST
Doppelanschlaege sind nur mit von TE zugelassenen Anschlagwerkzeugen moeglich (keine Handzangen)
passende Werkzeuge auf Anfrage
 - GAUGE INSPECTION
Lehrenpruefung
 - DETAILS OF DESIGN ARE LEFT TO MANUFACTURER
Einzelheiten der Ausfuhrung bleiben dem Hersteller ueberlassen
 - ONLY GERMAN LANGUAGE VERSION SHALL BE BINDING
Massgebend ist der deutsche Text
 - PUNCHING OIL RAZIOL CLF 11 SG
Stanzuel:

THIS DRAWING IS A CONTROLLED DOCUMENT.		DMN S. Blidar 22SEP97		TE Connectivity
DIMENSIONS: mm		CHK G. Hotea 22SEP97		NAME
TOLERANCES UNLESS OTHERWISE SPECIFIED: ±0.2		APVD J. Woller 22SEP97	SIZE	A1
MATERIAL		PRODUCT SPEC 108-18513	CAGE CODE	00779
FINISH		APPLICATION SPEC 114-18148	SCALE	5:1
WEIGHT		RESTRICTED TO	SHEET	1 OF 1
Customer Drawing		REV	J10	