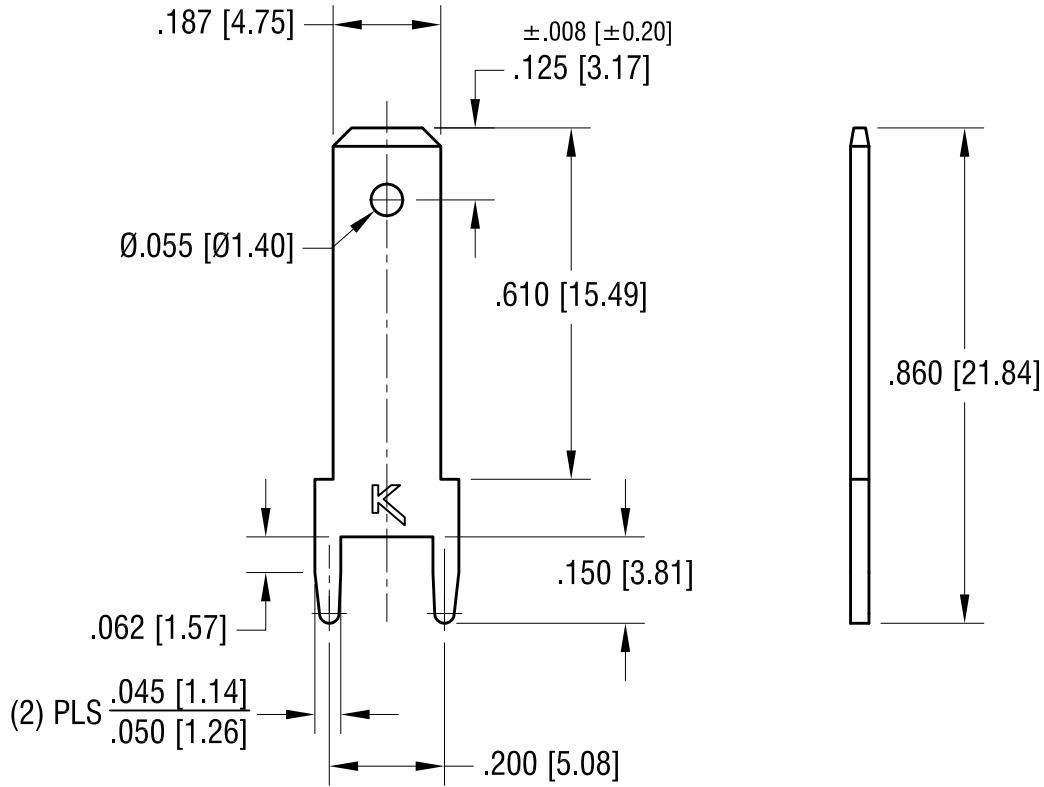


THIS DOCUMENT IS THE PROPERTY OF  
KEYSTONE ELECTRONICS CORP. AND  
SHALL NOT BE REPRODUCED, DISTRIBUTED  
OR USED AS A BASIS FOR MANUFACTURE  
WITHOUT PRIOR WRITTEN PERMISSION  
FROM KEYSTONE ELECTRONICS CORP.

**ACTUAL SIZE**



**KEYSTONE ELECTRONICS CORP.**

www.keyelco.com • ASTORIA, N.Y. 11105-2017 • Tel (718) 956-8900

PART NAME

QUICK DISCONNECT TERMINAL

MATERIAL

.032 [0.81] BRASS

FINISH

TIN PLATE

DRN BY

NT

DATE

1.02.09

APP'D

LN

SCALE

3X

TOLERANCES

INCH [MM]

DECIMAL

± .005 [± 0.15]

ANGULAR

± 1°

UNLESS OTHERWISE SPECIFIED

CODE

C

DWG NO.

1216

8.30.12 CHANGE AS PER ECN 12-123

B

3.20.09 CHANGE AS PER ECN 09-018

A

DATE

DESCRIPTION

REV.