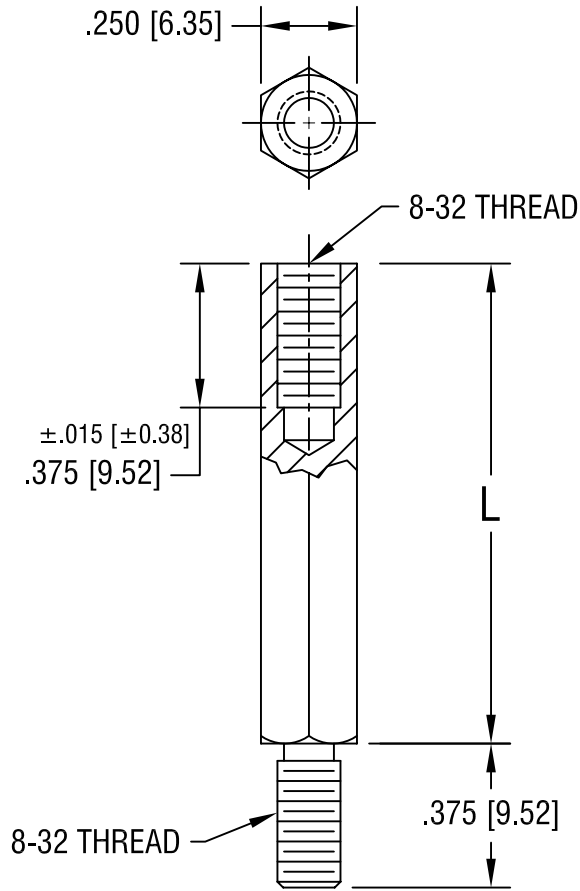


THIS DOCUMENT IS THE PROPERTY OF
KEYSTONE ELECTRONICS CORP. AND
SHALL NOT BE REPRODUCED, DISTRIBUTED
OR USED AS A BASIS FOR MANUFACTURE
WITHOUT PRIOR WRITTEN PERMISSION
FROM KEYSTONE ELECTRONICS CORP.



PART NO.	'L' DIM.
2156	1.250 [31.75]
2157	1.375 [34.93]
2158	1.500 [38.10]
2159	1.625 [41.28]
2160	1.750 [44.45]
2161	2.000 [50.80]

KEYSTONE ELECTRONICS CORP.

ASTORIA, N.Y. 11105-2017

PART NAME

HEX M/F STANDOFF

MATERIAL

STAINLESS STEEL

FINISH

-

DRN BY

BOONE

DATE

3.5.98

APP'D

SCALE

2X

TOLERANCES

INCH

[MM]

DECIMAL ± .005 [± 0.15]

ANGULAR ± 1°

UNLESS OTHERWISE SPECIFIED

CODE

DWG NO.

C/M

2156-2161

DATE

DESCRIPTION

REV.