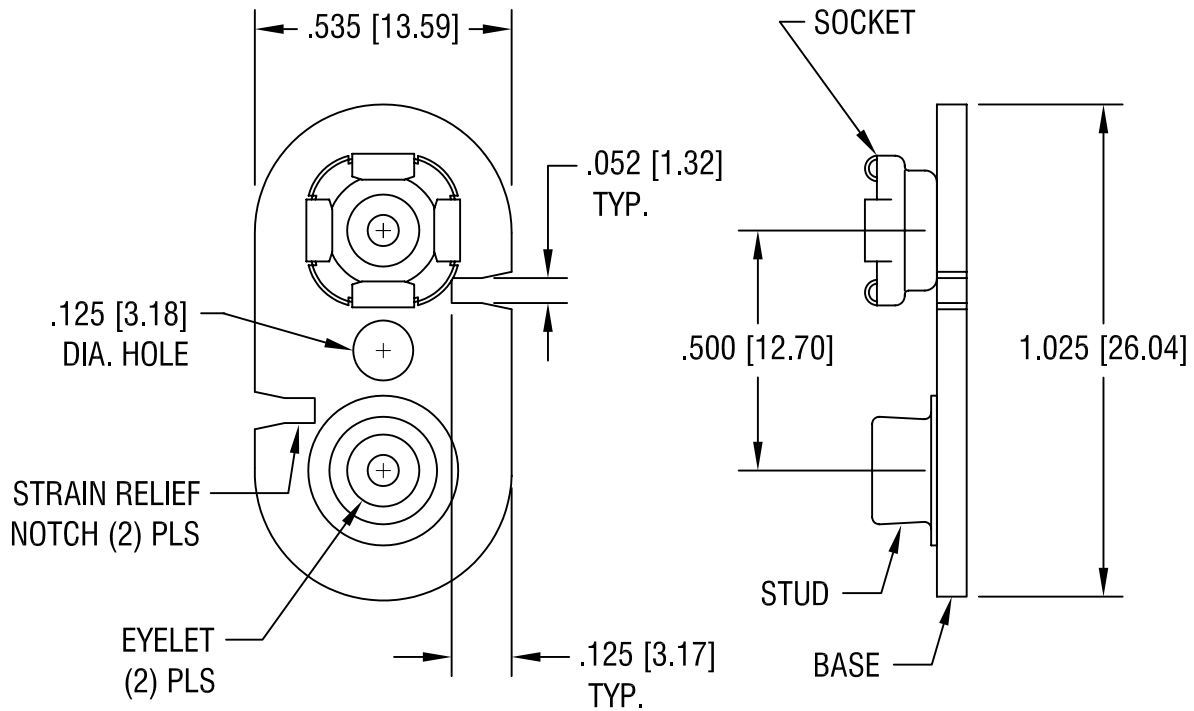


THIS DOCUMENT IS THE PROPERTY OF
KEYSTONE ELECTRONICS CORP. AND
SHALL NOT BE REPRODUCED, DISTRIBUTED
OR USED AS A BASIS FOR MANUFACTURE
WITHOUT PRIOR WRITTEN PERMISSION
FROM KEYSTONE ELECTRONICS CORP.



NOTES:

1. BASE:

MAT'L - .062 [1.57] TH'K FIBRE

CONTACT:

MAT'L - STEEL

FINISH - NICKEL PLATE

EYELET:

MAT'L - BRASS

FINISH - TIN PLATE

KEYSTONE ELECTRONICS CORP.

ASTORIA, N.Y. 11105-2017

PART NAME

9V BATTERY CONNECTOR

MATERIAL

AS NOTED

FINISH

AS NOTED

DRN BY

BOONE

DATE

10.15.81

APP'D

SCALE

2.5X

10.17.06

CHANGE AS PER ECN 06-068

C

TOLERANCES

INCH [MM]

DECIMAL $\pm .010$ [± 0.25]

ANGULAR $\pm 1^\circ$

UNLESS OTHERWISE SPECIFIED

CODE

C

DWG NO.

68

DATE

DESCRIPTION

REV.