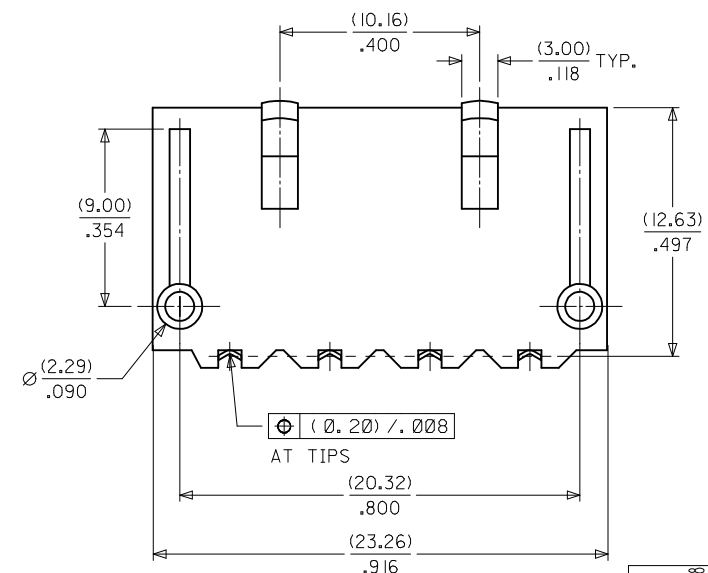
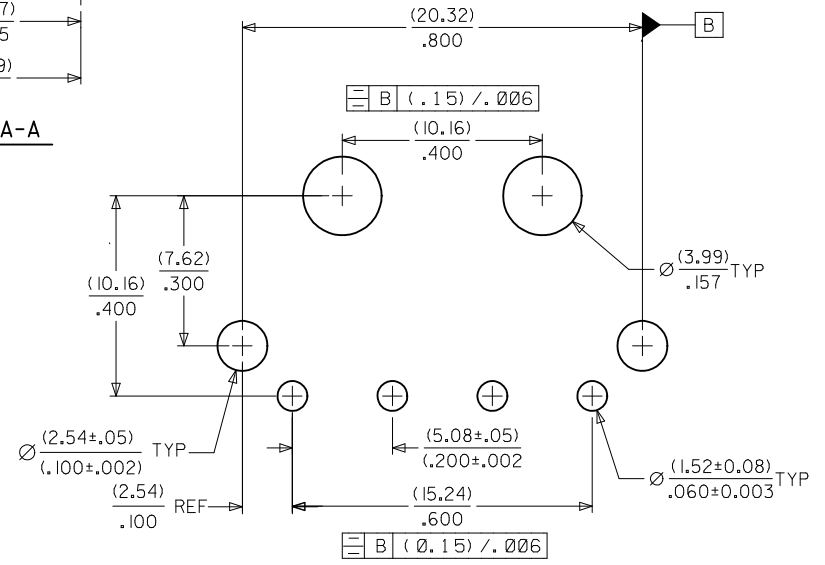


SECT A-A



- NOTES:
- 1) MATERIAL  
 HOUSING - NYLON 6/6, UNFILLED, UL94V-2, COLOR: BEIGE  
 TERMINAL - PHOSPHOR BRONZE  
 PLATING - POSTPLATE(0.00254)/.000100 MIN.  
 TIN OVER (0.00127)/.000050 MIN.  
 NICKEL OVERALL.
  - 2) PART INTENDED TO MATE WITH HOUSING 8981-4P AND TERMINAL 8980-3\*
  - 3) PRODUCT SPEC PS-8981-4V\* APPLIES.



RECOMMENDED P.C. BOARD LAYOUT (TOL. +/- (.13)/.005)

MAT'L NO.	ENG. NO.	'L'
A-8981-4R-1-LF	15-24-4441	(3.56)/.140

ADD CKT INDICATION EC NO: S2009-0836 DRWN:SKANG CHKD:ATSEE APPR:MLONG	2009/05/08	2009/05/08	2009/05/11
	DESCRIPTION		
	QUALITY SYMBOLS	▽=0	∇=0
	REV	C2	

GENERAL TOLERANCES (UNLESS SPECIFIED)  DRAFT WHERE APPLICABLE MUST REMAIN WITHIN DIMENSIONS	mm	INCH
	4 PLACES	± --- ± ---
	3 PLACES	± --- ± .008
	2 PLACES	± 0.20 ± ---
1 PLACE	± --- ± ---	
ANGULAR ± 3 °		

DIMENSION STYLE		SCALE	DESIGN UNITS	THIRD ANGLE PROJECTION
MM/IN		NTS	INCH	
DRAWN BY	DATE	TITLE		
GRXIE	2001/05/02	HEADER, 4 CKTS RIGHT ANGLE MOUNT		
CHECKED BY	DATE	MOLEX INCORPORATED DOCUMENT NO. SD-8981-4R1		
KCL ING	2001/05/02			
APPROVED BY	DATE	SHEET NO.		
SKTOH	2001/05/03	1 OF 1		
MATERIAL NO.	SEE TABLE	THIS DRAWING CONTAINS INFORMATION THAT IS PROPRIETARY TO MOLEX INCORPORATED AND SHOULD NOT BE USED WITHOUT WRITTEN PERMISSION		
SIZE	A3			