

2J662B

(DATASHEET)

| | |
|--------------------|--|
| Type | WiFi/Bluetooth antenna |
| Frequencies | WIFI / BLUETOOTH (2.4 GHz) WIFI (5.1 - 5.9 GHz) |
| Mounting | Body Mount |
| Revision | 00 |



P. Tipul



D. Noble

1. SPECIFICATION

1.1. Electrical Specifications

| | |
|--------------|--|
| Frequencies | WIFI / BLUETOOTH (2.4 GHz) WIFI (5.1 - 5.9 GHz) |
| Impedance | 50 Ohms |
| Polarization | Horizontal |
| Gain | 5dBi |
| VSWR | <2:1 |

1.2. General Specification

| | |
|-----------------------|----------------|
| Operating temperature | -40°C to +85°C |
| IP rating | IP67 |
| UV stable | Yes |

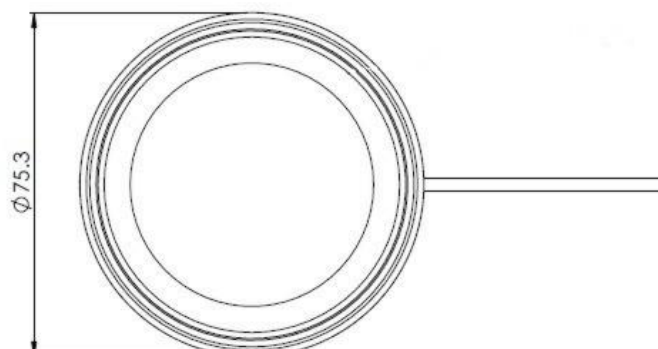
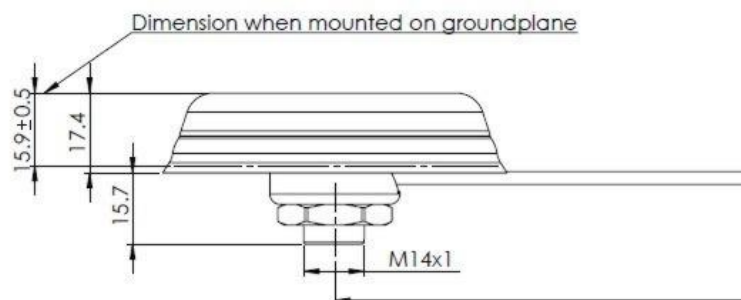
1.3. Connection Specifications

Connector type: upon request
 Cable: RG174U
 Cable length: upon request

For different cable length and connector type ask our sales team.

1.4. Mechanical Specifications and Dimensions

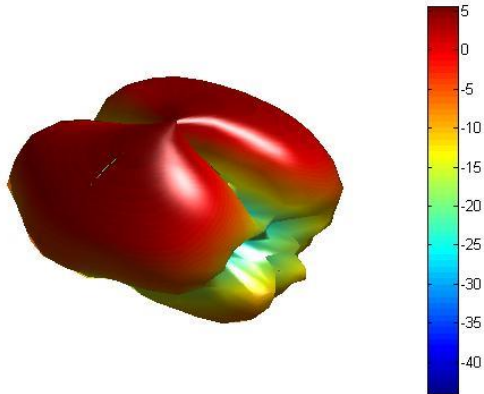
Material: Lid: ABS / Base: Zamak / Gasket: TPE
 Max. dimensions: 77.44mm x 15.9mm (dimensions after mounting)
 Colour: Black (for different colours please ask our sales team)



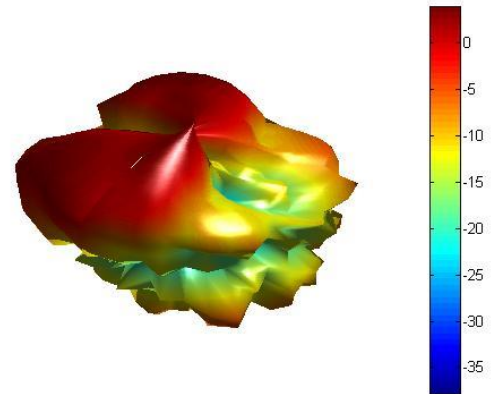
2. MEASUREMENT

- Tested with 15cm cable lenght on metal groundplane.
- Legend bar showing antenna gain

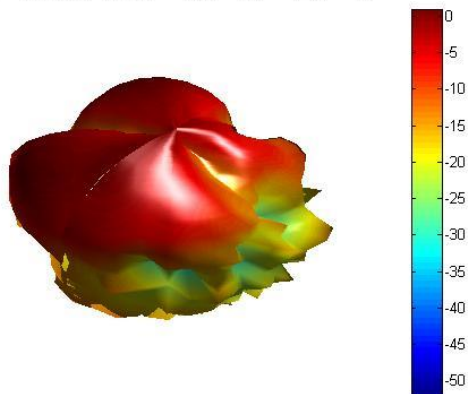
2400MHz
Freq = 2.4002GHz Az= 45 EL= 45



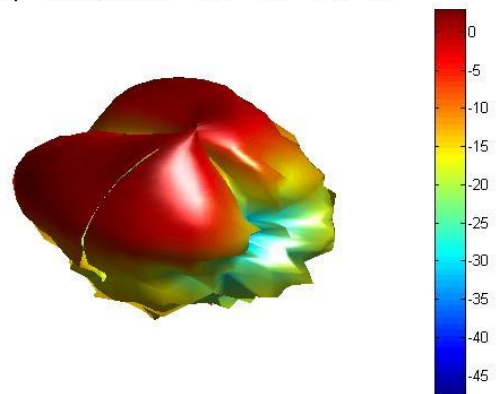
5100MHz
Freq = 5.1190GHz Az= 45 EL= 45



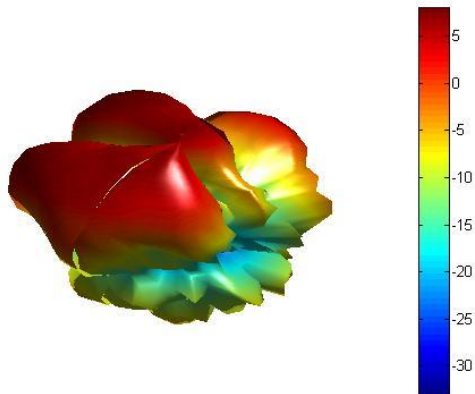
5400MHz
Freq = 5.4017GHz Az= 45 EL= 45



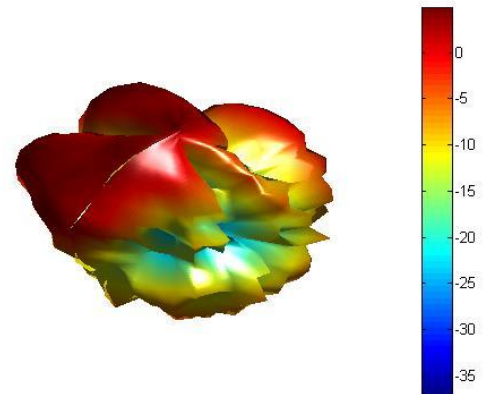
5500MHz
Freq = 5.5105GHz Az= 45 EL= 45



5800MHz
Freq = 5.7932GHz Az= 45 EL= 45

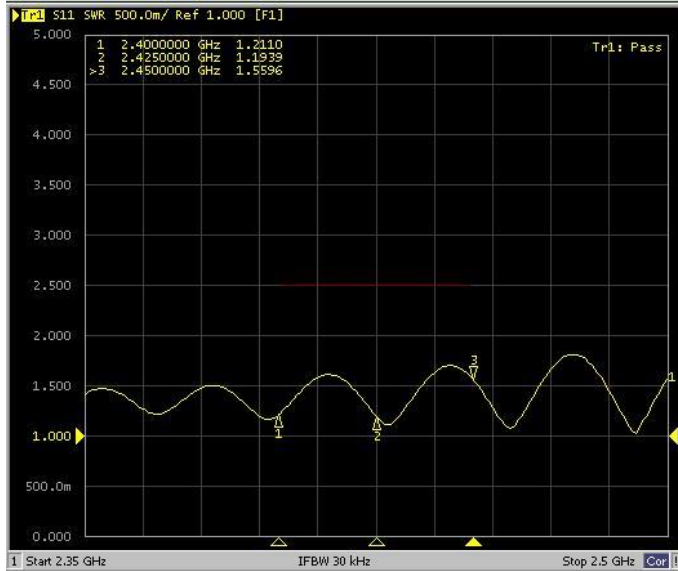


5900MHz
Freq = 5.902GHz Az= 45 EL= 45



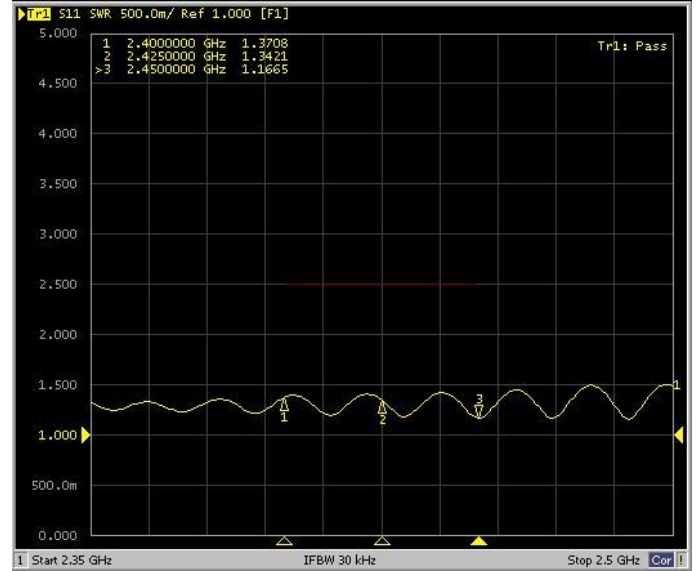
- S11 measurements

VSWR (WiFi)



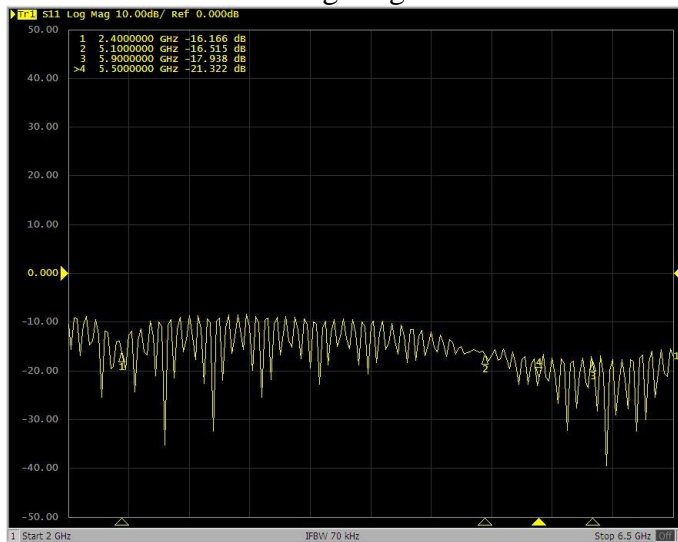
Tested with 3m cable length - RG174 with SMA male

VSWR (WiFi)



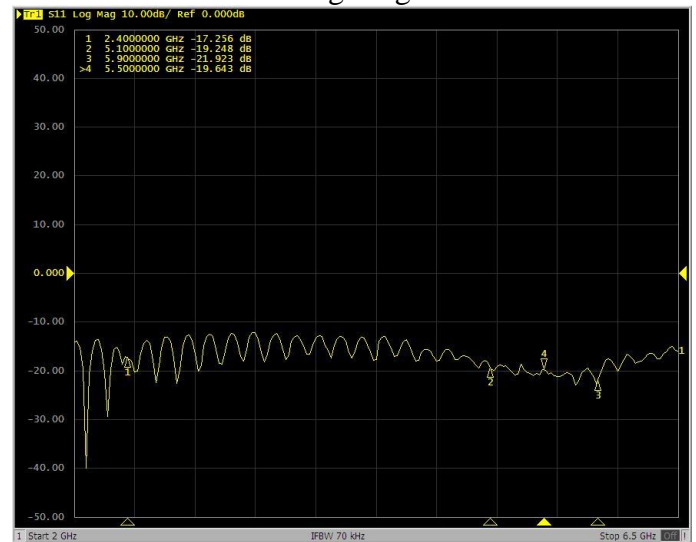
Tested with 5m cable length - RG174 with SMA male

Log Mag



Tested with 3m cable length and metal pate 15 x 15 cm

Log Mag



Tested with 5m cable length and metal pate 15 x 15 cm

3. IMAGES

