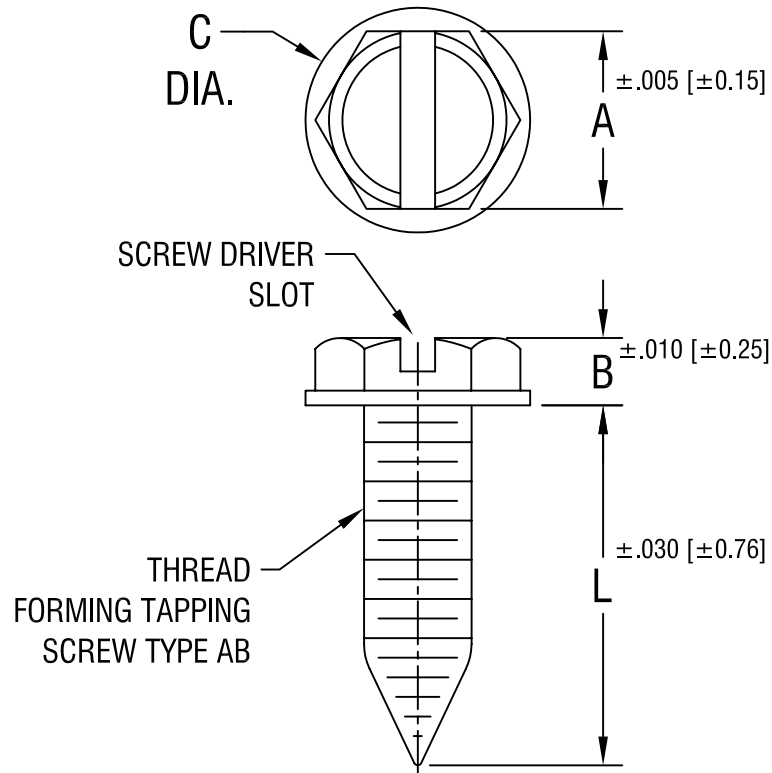


THIS DOCUMENT IS THE PROPERTY OF KEYSTONE ELECTRONICS CORP. AND SHALL NOT BE REPRODUCED, DISTRIBUTED OR USED AS A BASIS FOR MANUFACTURE WITHOUT PRIOR WRITTEN PERMISSION FROM KEYSTONE ELECTRONICS CORP.



PART NO.	'L' DIM.	THREAD	'A' DIM.	'B' DIM.	'C' DIA.
9575	.375 [9.53]	NO. 4	.185 [4.70]	.070 [1.78]	.234 [5.94]
9576	.375 [9.53]	NO. 6	.247 [6.27]	.106 [2.69]	.315 [8.00]
9577	.500 [12.70]				
9578	.375 [9.53]	NO. 8	.247 [6.27]	.128 [3.25]	.335 [8.51]
9579	.500 [12.70]				
9580	.375 [9.53]	NO. 10	.309 [7.85]	.136 [3.45]	.399 [10.13]
9581	.500 [12.70]				

KEYSTONE ELECTRONICS CORP.

ASTORIA, N.Y. 11105-2017

PART NAME

SELF TAPPING HEX WASHER HEAD SCREW

MATERIAL

STEEL

FINISH

ZINC PLATE

DRN BY

BOONE

DATE

3.1.04

APP'D

LN

SCALE

5X

TOLERANCES

INCH [MM]

DECIMAL ±.015 [±0.38]

ANGULAR ± 1°

UNLESS OTHERWISE SPECIFIED

CODE

C/M

DWG NO.

9575-9581

DATE

DESCRIPTION

REV.