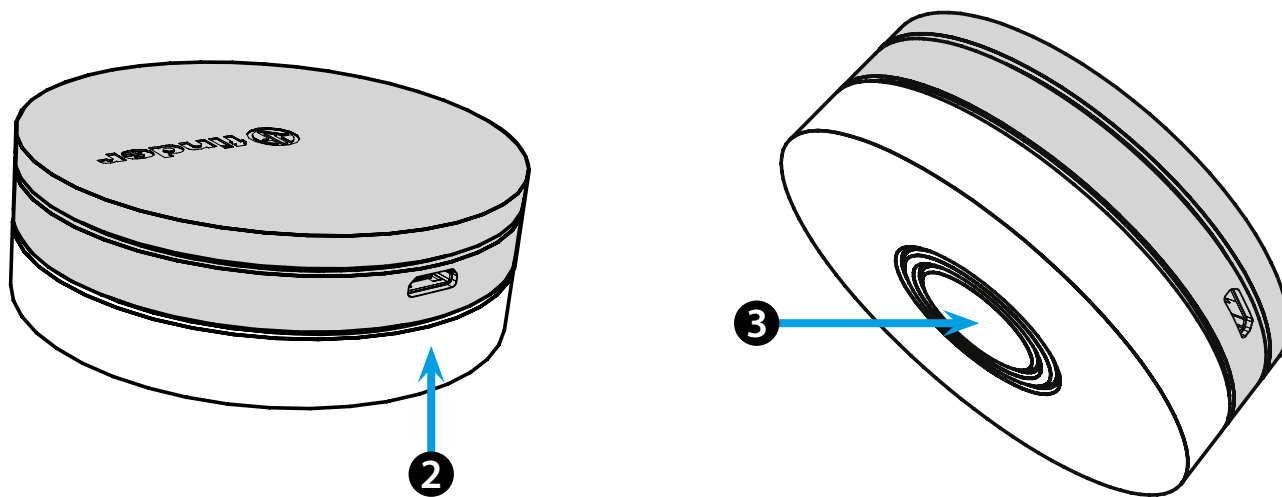
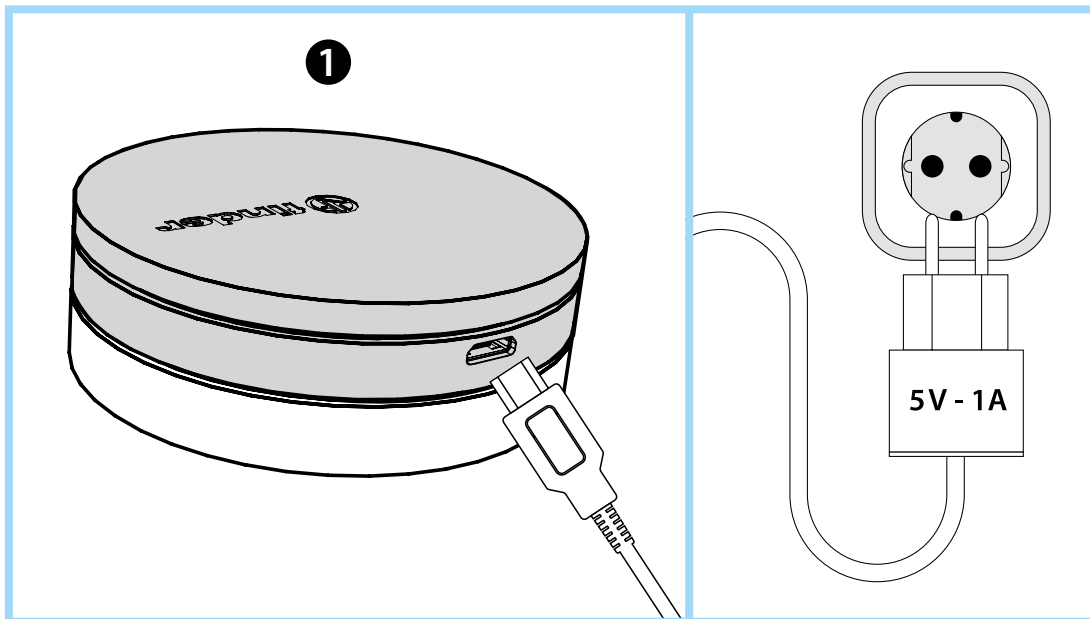




1Y.GU.005



ENGLISH

1Y.GU.005 GATEWAY YESLY Wi-Fi 2.4 GHz

1 INSTALLATION

Connect the Micro USB connector to the Gateway and the power supply to the electrical outlet.

After switching on, the Gateway's luminous base will flash with a fading white light, awaiting configuration.

Use the Finder YESLY APP for Gateway configuration, **only after creating the Yesly system with the TOOLBOX App Finder.**

For more information: yesly.life/setup-gateway

2 LUMINOUS BASE

WHITE LED

- **Flashing fading:** waiting for configuration

- **Fixed:** connection established with both the Wi-Fi network and the Cloud

- **2 flashes:** connected only to the Wi-Fi network - no connection to the Cloud (internet not active)

- **3 flashes:** no connection to the Wi-Fi network and no connection to the Cloud (internet not active)

BLUE LED

Flashing: sending Bluetooth commands to the devices

RED LED

Fixed: direct connection of the smartphone to GATEWAY (via WLAN with Yesly App)

3 GATEWAY SETTING

To change the light intensity of the GATEWAY base:

- press the button once: Low brightness

- press the button twice: Medium-Low brightness

- press the button 3 times: Medium-High brightness

- press the button 4 times: High brightness

RESET

Press the button for > 10 seconds to reset the settings to factory

