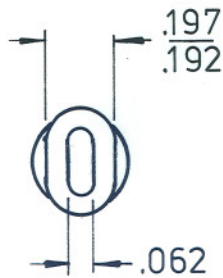
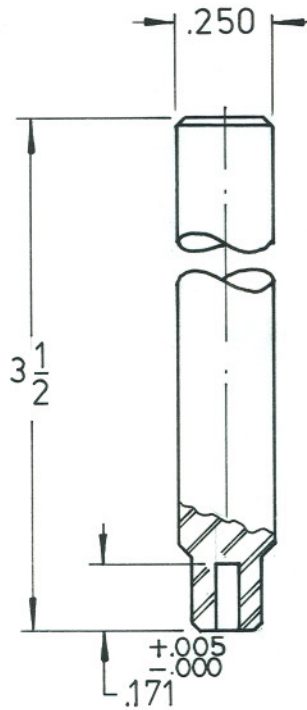


NO.

REV.



<b>KEYSTONE ELECTRONICS CORP.</b>			
ASTORIA, N.Y. 11105-2017			
PART NAME		INSERTION TOOL	
MATERIAL		CRS	
FINISH	ZINC PLATE	DRAWN BY	L.N.
		DATE	5.18.82
		APPROVED	A.A.
		SCALE	—
TOLERANCES		DWG. NO.	
FRACTIONAL ± .015		1322	
DECIMAL ± .005 ANGULAR ± 1/4°			
UNLESS OTHERWISE NOTED			

DATE	REVISION	ISSUE
------	----------	-------