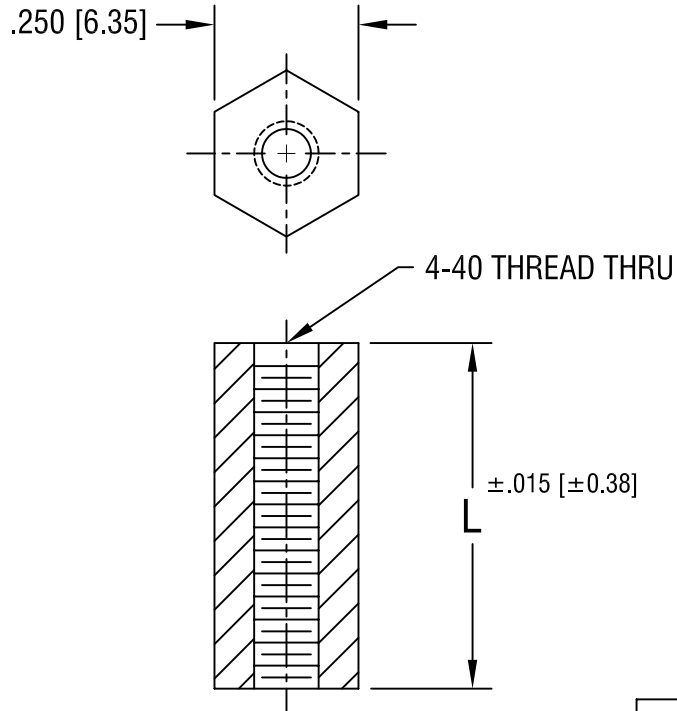


THIS DOCUMENT IS THE PROPERTY OF KEYSTONE ELECTRONICS CORP. AND SHALL NOT BE REPRODUCED, DISTRIBUTED OR USED AS A BASIS FOR MANUFACTURE WITHOUT PRIOR WRITTEN PERMISSION FROM KEYSTONE ELECTRONICS CORP.



PART NO.	'L' DIM.
8440A	.250 [6.35]
8440B	.375 [9.52]
8440C	.500 [12.70]
8440D	.625 [15.87]
8440E	.750 [19.05]
8440F	.875 [22.22]
8440G	1.000 [25.4]

KEYSTONE ELECTRONICS CORP.

ASTORIA, N.Y. 11105-2017

PART NAME

HEX STANDOFF, FLAME RETARDANT

MATERIAL

NYLON 6/6 UL 94V-0

FINISH

-

DRN BY

BOONE

DATE

1.25.96

APPD

SCALE

3X

TOLERANCES

INCH [MM]

DECIMAL ± .005 [± 0.15]

ANGULAR ± 1°

UNLESS OTHERWISE SPECIFIED

CODE

C/M

DWG NO.

8440-

DATE	DESCRIPTION	REV.