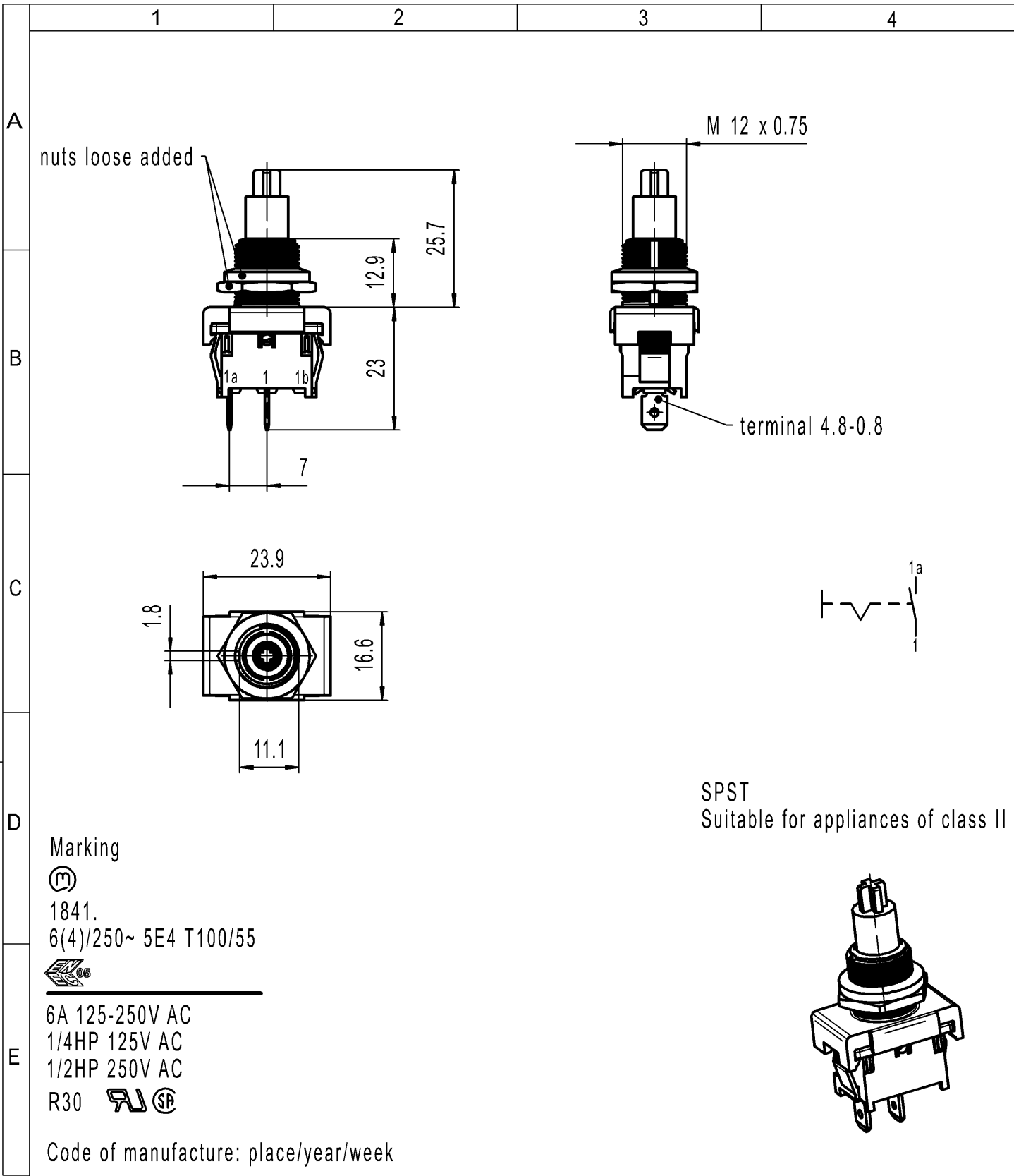


CONFIDENTIAL

VERTRAULICH

THIS DRAWING IS THE EXCLUSIVE PROPERTY OF MARQUARDT. WITHOUT THEIR CONSENT IT MAY NOT BE REPRODUCED OR GIVEN TO THIRD PARTIES.

Alle Rechte bei Marquardt, auch fuer den Fall von Schutzrechtsanmeldungen. Jede Veruegungsbefugnis, wie Kopier- und Weitergaberecht, bei uns.



Marking

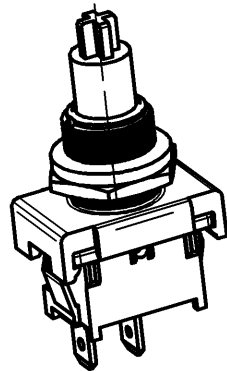
Ⓜ
1841.
6(4)/250~ 5E4 T100/55



6A 125-250V AC
1/4HP 125V AC
1/2HP 250V AC
R30

Code of manufacture: place/year/week

SPST
Suitable for appliances of class II



-		-		-		1841.6101-XX				
Figure		Type		Customer No.		Art.No.-PI				
General tolerances				Sheet 01			Ident. K	Document number 18416101	Index f	
All dimensions are in millimetres	Shape and location	Angle $\pm 2^\circ$	Edge tolerance	Length	Radii	Format DIN A4	Projection	Scale 1:1	Appliance Switch	
				0-6	± 0.2					\pm
				>6-15	± 0.4					\pm
				>15-30	± 0.4					\pm
				>30-70	\pm					\pm
>70-120	\pm	\pm								
>120	\pm	\pm								
f	131663	2020-09-07		BHATKARP		System NX V11.0				
e	64533	2010-04-13		MUT						
d	56042	2008-01-16		VOR						
c	29875	2000-06-19		BMI		Replacement of Zg.gl.Nr.v.09.11.2000				
Index	MEC-No.	Date (YYYY-MM-DD)		Edited by						

