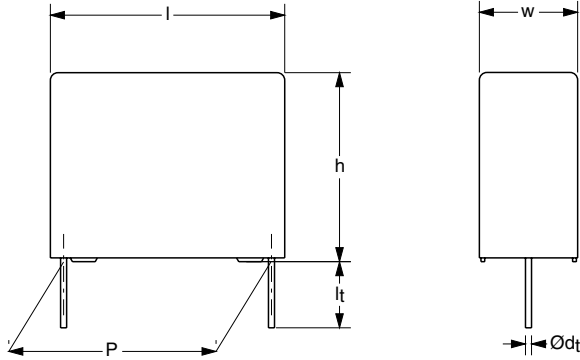


# Metallized Polyester Film Capacitors

## MKT Radial Potted Type



### APPLICATIONS

Blocking and coupling. Bypass and energy reservoir

### MARKING

C-value; tolerance; rated voltage; code for manufacturer; manufacturer's type designation; code for dielectric material; code for factory of origin, year and week of manufacturer

### DIELECTRIC

Polyester film

### ELECTRODES

Vacuum deposited aluminum

### ENCAPSULATION

Flame retardant plastic case and epoxy resin (UL-class 94 V-0)

### CONSTRUCTION

Wound mono construction

### LEADS

Tinned wire

### CAPACITANCE RANGE (E12 SERIES)

0.0047 to 15  $\mu$ F

### FEATURES

Available taped and loose in box  
Lead (Pb)-free product  
RoHS-compliant product

### CAPACITANCE TOLERANCE

$\pm 10\%$ ;  $\pm 5\%$

### RATED (DC) VOLTAGE

100 V; 250 V; 400 V; 630 V

### RATED (AC) VOLTAGE

63 V; 160 V; 220 V; 250 V

### CLIMATIC CATEGORY

55/105/56

### RATED TEMPERATURE

85 °C

### MAXIMUM APPLICATION TEMPERATURE

100 °C

### REFERENCE SPECIFICATIONS

IEC 60384-2

### PERFORMANCE GRADE

Grade 1 (long life)

### DETAIL SPECIFICATION

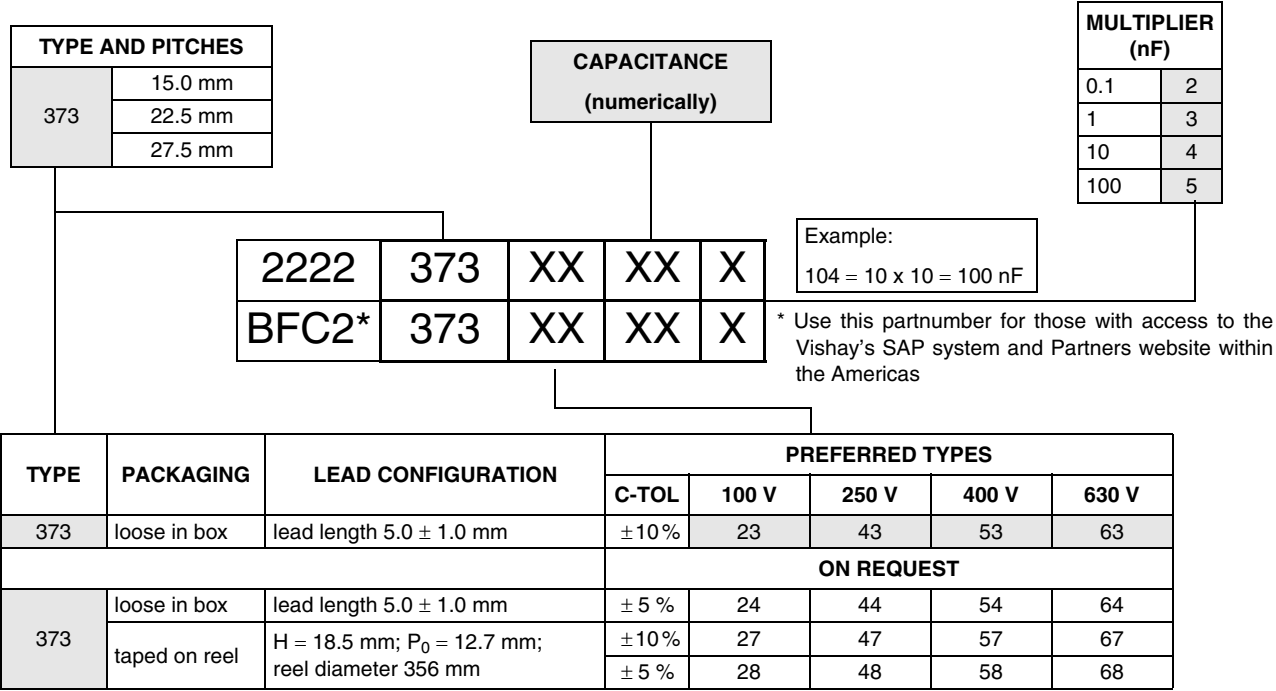
For more detailed data and test requirements contact:

[filmcaps.roeselare@vishay.com](mailto:filmcaps.roeselare@vishay.com)



**RoHS**  
COMPLIANT

**COMPOSITION OF CATALOG NUMBER**



**SPECIFIC REFERENCE DATA**

| DESCRIPTION  | VALUE                   |                          |                          |                          |
|--|-------------------------|--------------------------|--------------------------|--------------------------|
|  | at 100 V (DC)           | at 250 V (DC)            | at 400 V (DC)            | at 630 V (DC)            |
| Tangent of loss angle:   |                         |                          |                          |                          |
| 0.33 μF < C ≤ 0.47 μF  | ≤ 75 × 10 <sup>-4</sup> | ≤ 130 × 10 <sup>-4</sup> | ≤ 130 × 10 <sup>-4</sup> | ≤ 300 × 10 <sup>-4</sup> |
| 0.47 μF < C ≤ 1.0 μF   | ≤ 75 × 10 <sup>-4</sup> | ≤ 130 × 10 <sup>-4</sup> | -                        | -                        |
| 1.0 μF < C ≤ 10 μF   | ≤ 75 × 10 <sup>-4</sup> | ≤ 150 × 10 <sup>-4</sup> | -                        | -                        |
| C > 10 μF  | ≤ 75 × 10 <sup>-4</sup> | -                        | -                        | -                        |
| Rated voltage pulse slope (dU/dt) <sub>R</sub> :                     |                         |                          |                          |                          |
| P = 15 mm  | 14 V/μs                 | 16 V/μs                  | 34 V/μs                  | 90 V/μs                  |
| P = 22.5 mm  | 5 V/μs                  | 7 V/μs                   | 14 V/μs                  | 35 V/μs                  |
| P = 27.5 mm  | 4 V/μs                  | 6 V/μs                   | 12 V/μs                  | 30 V/μs                  |
| R between leads, for C ≤ 0.33 μF:                                    |                         |                          |                          |                          |
| at 100 V; 1 minute   | > 15000 MΩ              | > 30000 MΩ               | > 30000 MΩ               |                          |
| at 500 V; 1 minute   |                         |                          |                          | > 30000 MΩ               |
| RC between leads, for C > 0.33 μF:                                   |                         |                          |                          |                          |
| at 100 V; 1 minute   | > 5000 s                | > 10000 s                | > 10000 s                |                          |
| at 500 V; 1 minute   |                         |                          |                          | > 10000 s                |
| R between interconnected leads and case (foil method)                | > 30000 MΩ              | > 30000 MΩ               | > 30000 MΩ               | > 30000 MΩ               |
| Withstanding (DC) voltage (cut off current 10 mA); rise time 100 V/s | 160 V; 1 minute         | 400 V; 1 minute          | 640 V; 1 minute          | 1008 V; 1 minute         |
| Withstanding (DC) voltage between leads and case                     | 200 V; 1 minute         | 500 V; 1 minute          | 800 V; 1 minute          | 1260 V; 1 minute         |



# MKT 373 Compact Size

Metallized Polyester Film Capacitors Vishay BCcomponents  
MKT Radial Potted Type

$U_{Rdc} = 100\text{ V}$ ,  $U_{Rac} = 63\text{ V}$  (compact size)

| C<br>( $\mu\text{F}$ )   | DIMENSIONS<br>$w \times h \times l$<br>(mm) | MASS<br>(g) | CATALOG NUMBER 2222 373 ..... AND PACKAGING |      |      |
|--|---|-------------|---|------|------|
|  |   |             | LOOSE IN BOX                                |      | REEL |
|  |   |             | $l_t = 5.0 \pm 1.0\text{ mm}$               |      | SPQ  |
|  |   |             | C-tol = $\pm 10\%$                          | SPQ  |      |
| last 5 digits of catalog number  |   | SPQ         |   |      |      |
| <b>Pitch = <math>15.0 \pm 0.4\text{ mm}</math>; <math>d_t = 0.60 \pm 0.06\text{ mm}</math></b> |   |             |   |      |      |
| 0.33   | 5.0 × 11.0 × 17.5                           | 1.1         | 23334                                       | 1000 | 1100 |
| 0.39   |   |             | 23394                                       |      |      |
| 0.47   |   |             | 23474                                       |      |      |
| 0.56   |   |             | 23564                                       |      |      |
| 0.68   |   |             | 23684                                       |      |      |
| 0.82   |   |             | 23824                                       |      |      |
| 1  |   |             | 23105                                       |      |      |
| 1.2  |   |             | 23125                                       |      |      |
| 1.5  |   |             | 23155                                       |      |      |
| 1.8  | 23185                                       |             |   |      |      |
| 2.2  | 6.0 × 12.0 × 17.5                           | 1.4         | 23225                                       | 1000 | 900  |

$U_{Rdc} = 250\text{ V}$ ,  $U_{Rac} = 160\text{ V}$  (compact size)

| C<br>( $\mu\text{F}$ )   | DIMENSIONS<br>$w \times h \times l$<br>(mm) | MASS<br>(g) | CATALOG NUMBER 2222 373 ..... AND PACKAGING |      |      |
|--|---|-------------|---|------|------|
|  |   |             | LOOSE IN BOX                                |      | REEL |
|  |   |             | $l_t = 5.0 \pm 1.0\text{ mm}$               |      | SPQ  |
|  |   |             | C-tol = $\pm 10\%$                          | SPQ  |      |
| LAST 5 DIGITS OF CATALOG NUMBER  |   | SPQ         |   |      |      |
| <b>Pitch = <math>15.0 \pm 0.4\text{ mm}</math>; <math>d_t = 0.60 \pm 0.06\text{ mm}</math></b> |   |             |   |      |      |
| 0.15   | 5.0 × 11.0 × 17.5                           | 1.1         | 43154                                       | 1000 | 1100 |
| 0.18   |   |             | 43184                                       |      |      |
| 0.22   |   |             | 43224                                       |      |      |
| 0.27   |   |             | 43274                                       |      |      |
| 0.33   |   |             | 43334                                       |      |      |
| 0.39   | 6.0 × 12.0 × 17.5                           | 1.4         | 43394                                       | 1000 | 900  |
| 0.47   |   |             | 43474                                       |      |      |
| <b>Pitch = <math>15.0 \pm 0.4\text{ mm}</math>; <math>d_t = 0.80 \pm 0.08\text{ mm}</math></b> |   |             |   |      |      |
| 0.56   | 7.0 × 13.5 × 17.5                           | 1.9         | 43564                                       | 1000 | 800  |
| 0.68   |   |             | 43684                                       |      |      |
| 0.82   | 8.5 × 15.0 × 17.5                           | 2.6         | 43824                                       | 1000 | 650  |
| 1  |   |             | 43105                                       |      |      |
| 1.2  | 10.0 × 16.5 × 17.5                          | 3.1         | 43125                                       | 500  | 600  |
| <b>Pitch = <math>22.5 \pm 0.4\text{ mm}</math>; <math>d_t = 0.80 \pm 0.08\text{ mm}</math></b> |   |             |   |      |      |
| 1.5  | 8.5 × 18.0 × 26.0                           | 4.4         | 43155                                       | 200  | 450  |
| 1.8  |   |             | 43185                                       |      |      |
| 2.2  | 10.0 × 19.5 × 26.0                          | 5.5         | 43225                                       | 200  | 350  |
| 2.7  |   |             | 43275                                       |      |      |
| <b>Pitch = <math>27.5 \pm 0.4\text{ mm}</math>; <math>d_t = 0.80 \pm 0.08\text{ mm}</math></b> |   |             |   |      |      |
| 3.3  | 11.0 × 21.0 × 31.0                          | 7.8         | 43335                                       | 100  |      |
| 3.9  | 13.0 × 23.0 × 31.0                          | 10.4        | 43395                                       | 100  |      |
| 4.7  |   |             | 43475                                       |      |      |

# MKT 373 Compact Size



Vishay BCcomponents Metallized Polyester Film Capacitors  
MKT Radial Potted Type

$U_{Rdc} = 400\text{ V}$ ,  $U_{Rac} = 220\text{ V}$  (compact size)

| C<br>( $\mu\text{F}$ )   | DIMENSIONS<br>w × h × l<br>(mm) | MASS<br>(g) | CATALOG NUMBER 2222 373 ..... AND PACKAGING |      |      |
|--|---------------------------------|-------------|---|------|------|
|  |                                 |             | LOOSE IN BOX                                |      | REEL |
|  |                                 |             | It = 5.0 ± 1.0 mm                           |      | SPQ  |
|  |                                 |             | C-tol = ± 10 %                              |      |      |
| LAST 5 DIGITS OF CATALOG NUMBER  |                                 | SPQ         | SPQ   |      |      |
| <b>Pitch = 15.0 ± 0.4 mm; <math>d_t = 0.60 \pm 0.06\text{ mm}</math></b> |                                 |             |   |      |      |
| 0.047  | 5.0 × 11.0 × 17.5               | 1.1         | 53473                                       | 1000 | 1100 |
| 0.056  |                                 |             | 53563                                       |      |      |
| 0.068  |                                 |             | 53683                                       |      |      |
| 0.082  |                                 |             | 53823                                       |      |      |
| 0.1  |                                 |             | 53104                                       |      |      |
| 0.12   |                                 |             | 53124                                       |      |      |
| 0.15   |                                 |             | 53154                                       |      |      |
| 0.18   | 6.0 × 12.0 × 17.5               | 1.4         | 53184                                       | 1000 | 900  |
| 0.22   |                                 |             | 53224                                       |      |      |
| <b>Pitch = 15.0 ± 0.4 mm; <math>d_t = 0.80 \pm 0.08\text{ mm}</math></b> |                                 |             |   |      |      |
| 0.27   | 7.0 × 13.5 × 17.5               | 1.9         | 53274                                       | 1000 | 800  |
| 0.33   |                                 |             | 53334                                       |      |      |
| 0.39   | 8.5 × 15.0 × 17.5               | 2.6         | 53394                                       | 1000 | 650  |
| 0.47   |                                 |             | 53474                                       |      |      |
| 0.56   | 10.0 × 16.5 × 17.5              | 3.2         | 53564                                       | 500  | 600  |
| <b>Pitch = 22.5 ± 0.4 mm; <math>d_t = 0.80 \pm 0.08\text{ mm}</math></b> |                                 |             |   |      |      |
| 0.68   | 8.5 × 18.0 × 26.0               | 4.4         | 53684                                       | 200  | 450  |
| 0.82   |                                 |             | 53824                                       |      |      |
| 1  | 10.0 × 19.5 × 26.0              | 5.5         | 53105                                       | 200  | 350  |
| 1.2  |                                 |             | 53125                                       |      |      |
| <b>Pitch = 27.5 ± 0.4 mm; <math>d_t = 0.80 \pm 0.08\text{ mm}</math></b> |                                 |             |   |      |      |
| 1.5  | 11.0 × 21.0 × 31.0              | 7.8         | 53155                                       | 100  |      |
| 1.8  | 13.0 × 23.0 × 31.0              | 10.5        | 53185                                       | 100  |      |
| 2.2  |                                 |             | 53225                                       |      |      |

$U_{Rdc} = 630\text{ V}$ ,  $U_{Rac} = 250\text{ V}$  (compact size)

| C<br>( $\mu\text{F}$ )   | DIMENSIONS<br>w × h × l<br>(mm) | MASS<br>(g) | CATALOG NUMBER 2222 373 ..... AND PACKAGING |      |      |
|--|---------------------------------|-------------|---|------|------|
|  |                                 |             | LOOSE IN BOX                                |      | REEL |
|  |                                 |             | It = 5.0 ± 1.0 mm                           |      | SPQ  |
|  |                                 |             | C-tol = ± 10 %                              |      |      |
| LAST 5 DIGITS OF CATALOG NUMBER  |                                 | SPQ         | SPQ   |      |      |
| <b>Pitch = 15.0 ± 0.4 mm; <math>d_t = 0.60 \pm 0.06\text{ mm}</math></b> |                                 |             |   |      |      |
| 0.047  | 5.0 × 11.0 × 17.5               | 1.1         | 63473                                       | 1000 | 1100 |
| 0.056  |                                 |             | 63563                                       |      |      |
| 0.068  |                                 |             | 63683                                       |      |      |
| 0.082  |                                 |             | 63823                                       |      |      |
| <b>Pitch = 15.0 ± 0.4 mm; <math>d_t = 0.80 \pm 0.08\text{ mm}</math></b> |                                 |             |   |      |      |
| 0.1  | 7.0 × 13.5 × 17.5               | 1.9         | 63104                                       | 1000 | 800  |
| 0.12   |                                 |             | 63124                                       |      |      |
| 0.15   | 8.5 × 15.0 × 17.5               | 2.6         | 63154                                       | 1000 | 650  |
| 0.18   |                                 |             | 63184                                       |      |      |
| 0.22   | 10.0 × 16.5 × 17.5              | 3.2         | 63224                                       | 500  | 600  |
| <b>Pitch = 22.5 ± 0.4 mm; <math>d_t = 0.80 \pm 0.08\text{ mm}</math></b> |                                 |             |   |      |      |
| 0.27   | 8.5 × 18.0 × 26.0               | 4.4         | 63274                                       | 200  | 450  |
| 0.33   |                                 |             | 63334                                       |      |      |
| 0.39   | 10.0 × 19.5 × 26.0              | 5.5         | 63394                                       | 200  | 350  |
| 0.47   |                                 |             | 63474                                       |      |      |
| <b>Pitch = 27.5 ± 0.4 mm; <math>d_t = 0.80 \pm 0.08\text{ mm}</math></b> |                                 |             |   |      |      |
| 0.56   | 11.0 × 21.0 × 31.0              | 7.8         | 63564                                       | 100  |      |
| 0.68   | 13.0 × 23.0 × 31.0              | 10.5        | 63684                                       | 100  |      |
| 0.82   |                                 |             | 63824                                       |      |      |
| 1  | 15.0 × 25.0 × 31.0              | 7.8         | 63105                                       | 100  |      |



# MKT 373 Standard Size

Metallized Polyester Film Capacitors Vishay BCcomponents  
MKT Radial Potted Type

$U_{Rdc} = 100\text{ V}$ ,  $U_{Rac} = 63\text{ V}$  (standard size)

| C<br>( $\mu\text{F}$ )   | DIMENSIONS<br>$w \times h \times l$<br>(mm) | MASS<br>(g) | CATALOG NUMBER 2222 373 ..... AND PACKAGING |      |      |     |
|--|---|-------------|---|------|------|-----|
|  |   |             | LOOSE IN BOX                                |      | REEL |     |
|  |   |             | $l_t = 5.0 \pm 1.0\text{ mm}$               |      | SPQ  | SPQ |
|  |   |             | C-tol = $\pm 10\%$                          |      |      |     |
| LAST 5 DIGITS OF CATALOG NUMBER  |   | SPQ         | SPQ   |      |      |     |
| <b>Pitch = <math>15.0 \pm 0.4\text{ mm}</math>; <math>d_t = 0.60 \pm 0.06\text{ mm}</math></b> |   |             |   |      |      |     |
| 0.33<br>0.39<br>0.47<br>0.56<br>0.68   | 5.0 × 11.0 × 17.5                           | 1.1         | 21334<br>21394<br>21474<br>21564<br>21684   | 1000 | 1100 |     |
| 0.82<br>1  | 6.0 × 12.0 × 17.5                           | 1.4         | 21824<br>21105                              | 1000 | 900  |     |
| <b>Pitch = <math>15.0 \pm 0.4\text{ mm}</math>; <math>d_t = 0.80 \pm 0.08\text{ mm}</math></b> |   |             |   |      |      |     |
| 1.2<br>1.5   | 7.0 × 13.5 × 17.5                           | 1.9         | 21125<br>21155                              | 1000 | 800  |     |
| 1.8<br>2.2   | 8.5 × 15.0 × 17.5                           | 2.6         | 21185<br>21225                              | 1000 | 650  |     |
| <b>Pitch = <math>22.5 \pm 0.4\text{ mm}</math>; <math>d_t = 0.80 \pm 0.08\text{ mm}</math></b> |   |             |   |      |      |     |
| 2.7<br>3.3   | 8.5 × 18.0 × 26.0                           | 4.4         | 21275<br>21335                              | 200  | 450  |     |
| 3.9<br>4.7   | 10.0 × 19.5 × 26.0                          | 5.5         | 21395<br>21475                              | 200  | 350  |     |
| <b>Pitch = <math>27.5 \pm 0.4\text{ mm}</math>; <math>d_t = 0.80 \pm 0.08\text{ mm}</math></b> |   |             |   |      |      |     |
| 5.6<br>6.8   | 11.0 × 21.0 × 31.0                          | 8.0         | 21565<br>21685                              | 100  |      |     |
| 8.2<br>10  | 13.0 × 23.0 × 31.0                          | 10.5        | 21825<br>21106                              | 100  |      |     |
| 12<br>15   | 18.0 × 28.0 × 31.0                          | 17.5        | 21126<br>21156                              | 100  |      |     |

$U_{Rdc} = 250\text{ V}$ ,  $U_{Rac} = 160\text{ V}$  (standard size)

| C<br>( $\mu\text{F}$ )   | DIMENSIONS<br>$w \times h \times l$<br>(mm) | MASS<br>(g) | CATALOG NUMBER 2222 373 ..... AND PACKAGING |      |      |     |
|--|---|-------------|---|------|------|-----|
|  |   |             | LOOSE IN BOX                                |      | REEL |     |
|  |   |             | $l_t = 5.0 \pm 1.0\text{ mm}$               |      | SPQ  | SPQ |
|  |   |             | C-tol = $\pm 10\%$                          |      |      |     |
| LAST 5 DIGITS OF CATALOG NUMBER  |   | SPQ         | SPQ   |      |      |     |
| <b>Pitch = <math>15.0 \pm 0.4\text{ mm}</math>; <math>d_t = 0.60 \pm 0.06\text{ mm}</math></b> |   |             |   |      |      |     |
| 0.15<br>0.18<br>0.22   | 5.0 × 11.0 × 17.5                           | 1.1         | 41154<br>41184<br>41224                     | 1000 | 1100 |     |
| 0.27<br>0.33<br>0.39<br>0.47   | 6.0 × 12.0 × 17.5                           | 1.4         | 41274<br>41334<br>41394<br>41474            | 1000 | 900  |     |
| <b>Pitch = <math>15.0 \pm 0.4\text{ mm}</math>; <math>d_t = 0.80 \pm 0.08\text{ mm}</math></b> |   |             |   |      |      |     |
| 0.56<br>0.68   | 7.0 × 13.5 × 17.5                           | 1.9         | 41564<br>41684                              | 1000 | 800  |     |

# MKT 373 Standard Size

Vishay BCcomponents Metallized Polyester Film Capacitors  
MKT Radial Potted Type



| C<br>( $\mu$ F)  | DIMENSIONS<br>w × h × l<br>(mm) | MASS<br>(g) | CATALOG NUMBER 2222 373 ..... AND PACKAGING |      |                                 |     |     |
|--|---------------------------------|-------------|---|------|---------------------------------|-----|-----|
|  |                                 |             | LOOSE IN BOX                                |      | REEL                            |     |     |
|  |                                 |             | It = 5.0 ± 1.0 mm                           |      |                                 | SPQ | SPQ |
|  |                                 |             | C-tol = ± 10 %                              |      | LAST 5 DIGITS OF CATALOG NUMBER |     |     |
| 0.82<br>1  | 8.5 × 15.0 × 17.5               | 2.6         | 41824<br>41105                              | 1000 |                                 | 650 |     |
| <b>Pitch = 22.5 ± 0.4 mm; d<sub>t</sub> = 0.80 ± 0.08 mm</b> |                                 |             |   |      |                                 |     |     |
| 1.2<br>1.5   | 8.5 × 18.0 × 26.0               | 4.4         | 41125<br>41155                              | 200  | 450                             |     |     |
| 1.8<br>2.2   | 10.0 × 19.5 × 26.0              | 5.5         | 41185<br>41225                              | 200  | 350                             |     |     |
| <b>Pitch = 27.5 ± 0.4 mm; d<sub>t</sub> = 0.80 ± 0.08 mm</b> |                                 |             |   |      |                                 |     |     |
| 2.7<br>3.3   | 13.0 × 23.0 × 31.0              | 10.4        | 41275<br>41335                              | 100  |                                 |     |     |
| 3.9<br>4.7   | 15.0 × 25.0 × 31.0              | 12.5        | 41395<br>41475                              | 100  |                                 |     |     |

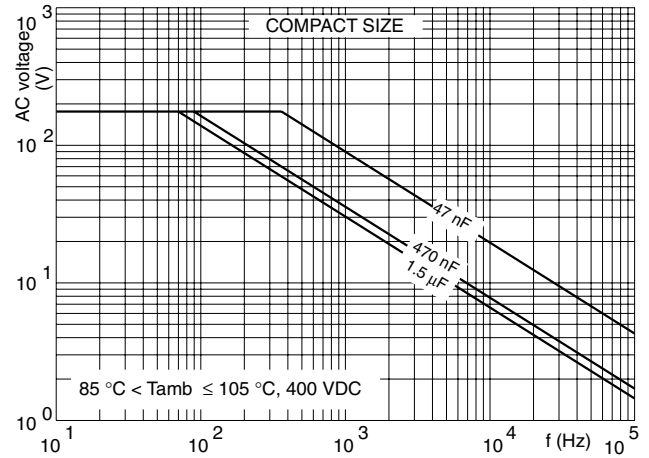
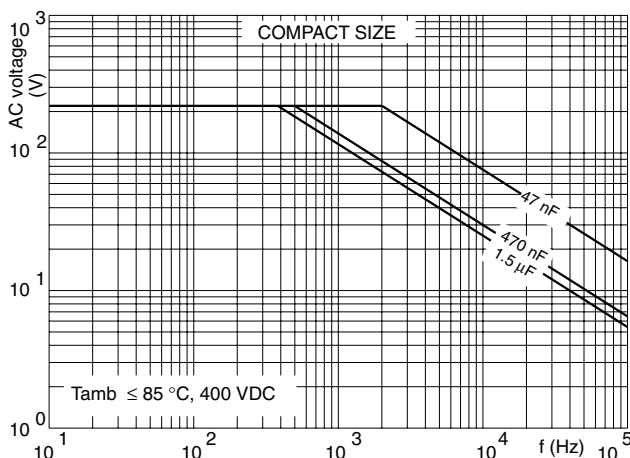
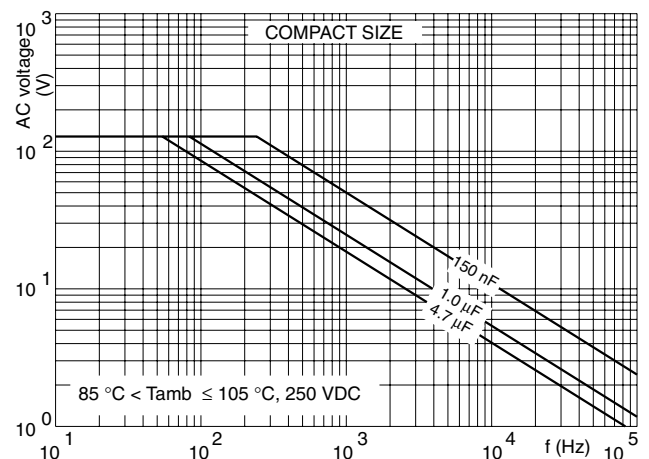
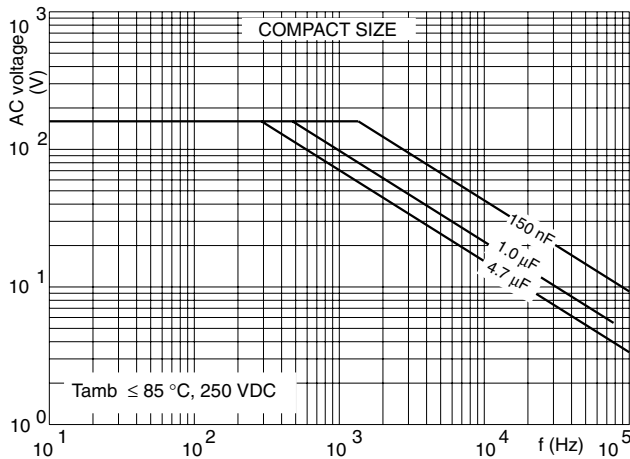
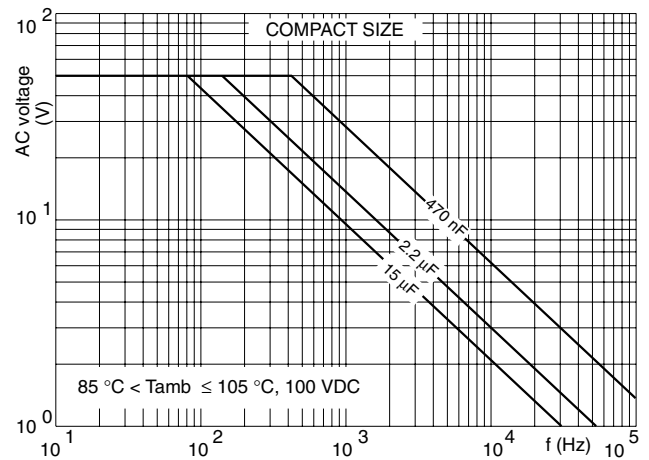
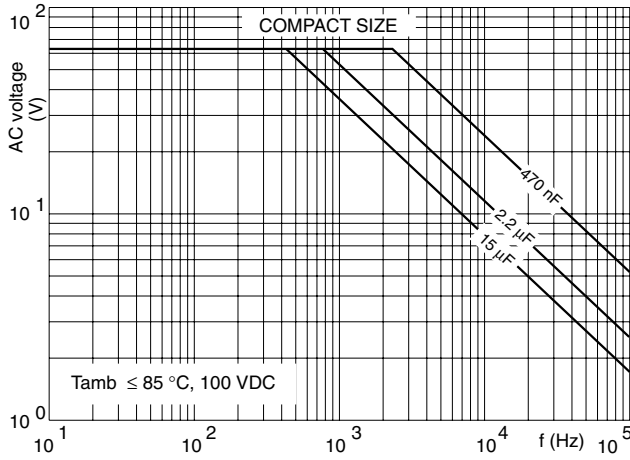
**U<sub>Rdc</sub> = 400 V, U<sub>Rac</sub> = 220 V (standard size)**

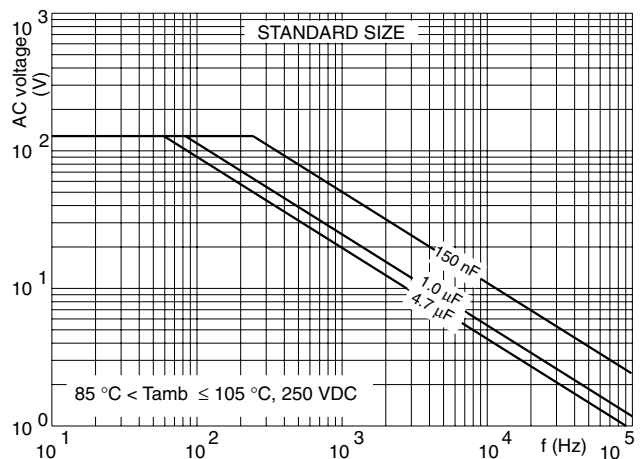
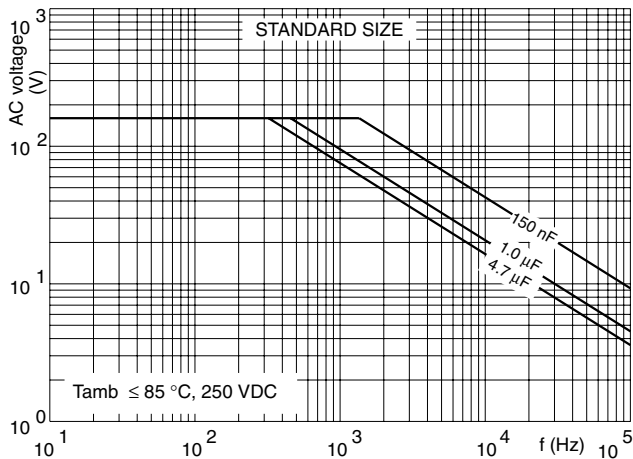
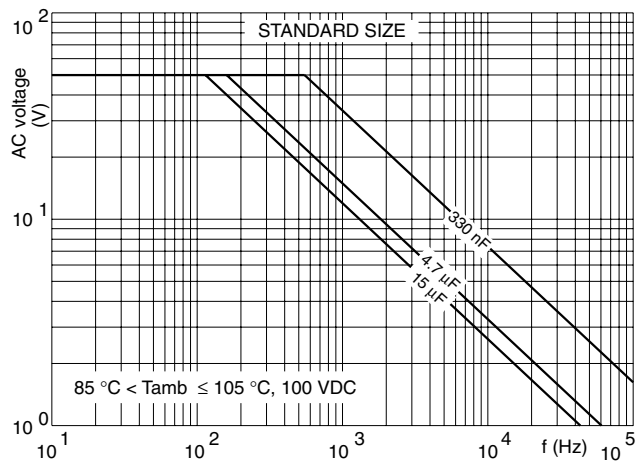
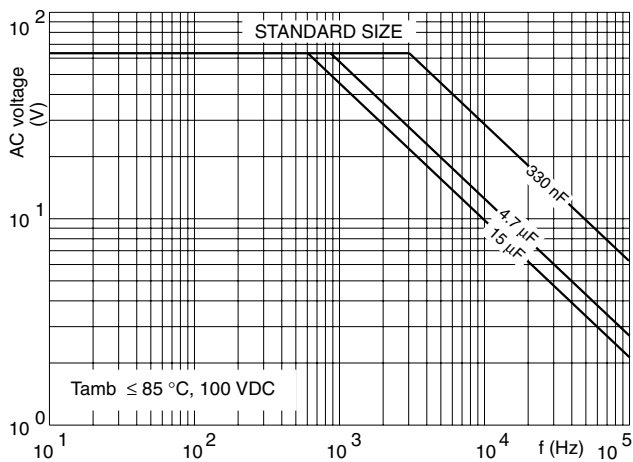
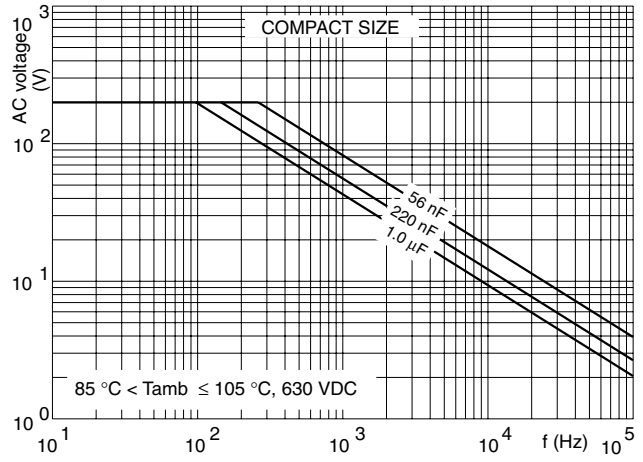
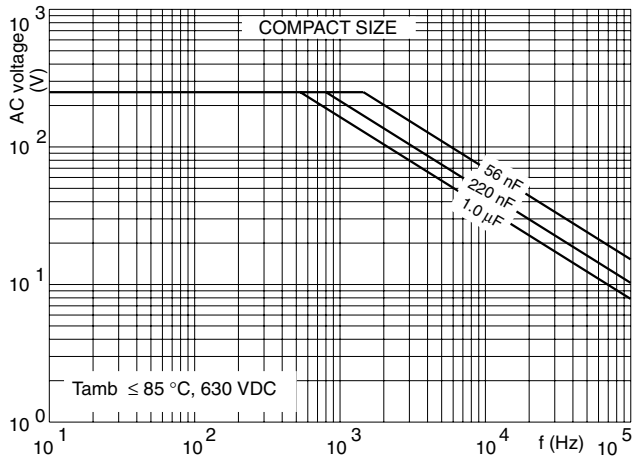
| C<br>( $\mu$ F)  | DIMENSIONS<br>w × h × l<br>(mm) | MASS<br>(g) | CATALOG NUMBER 2222 373 ..... AND PACKAGING |      |                                 |     |     |
|--|---------------------------------|-------------|---|------|---------------------------------|-----|-----|
|  |                                 |             | LOOSE IN BOX                                |      | REEL                            |     |     |
|  |                                 |             | It = 5.0 ± 1.0 mm                           |      |                                 | SPQ | SPQ |
|  |                                 |             | C-tol = ± 10 %                              |      | LAST 5 DIGITS OF CATALOG NUMBER |     |     |
| <b>Pitch = 15.0 ± 0.4 mm; d<sub>t</sub> = 0.60 ± 0.06 mm</b> |                                 |             |   |      |                                 |     |     |
| 0.047<br>0.056<br>0.068<br>0.082<br>0.1                      | 5.0 × 11.0 × 17.5               | 1.1         | 51473<br>51563<br>51683<br>51823<br>51104   | 1000 | 1100                            |     |     |
| 0.12<br>0.15   | 6.0 × 12.0 × 17.5               | 1.4         | 51124<br>51154                              | 1000 | 900                             |     |     |
| <b>Pitch = 15.0 ± 0.4 mm; d<sub>t</sub> = 0.80 ± 0.08 mm</b> |                                 |             |   |      |                                 |     |     |
| 0.18<br>0.22   | 7.0 × 13.5 × 17.5               | 1.9         | 51184<br>51224                              | 1000 | 800                             |     |     |
| 0.27<br>0.33   | 8.5 × 15.0 × 17.5               | 2.6         | 51274<br>51334                              | 1000 | 650                             |     |     |
| <b>Pitch = 22.5 ± 0.4 mm; d<sub>t</sub> = 0.80 ± 0.08 mm</b> |                                 |             |   |      |                                 |     |     |
| 0.39<br>0.47   | 8.5 × 18.0 × 26.0               | 4.4         | 51394<br>51474                              | 200  | 450                             |     |     |
| 0.56<br>0.68   | 10.0 × 19.5 × 26.0              | 4.4<br>5.5  | 51564<br>51684                              | 200  | 350                             |     |     |
| <b>Pitch = 27.5 ± 0.4 mm; d<sub>t</sub> = 0.80 ± 0.08 mm</b> |                                 |             |   |      |                                 |     |     |
| 0.82<br>1  | 11.0 × 21.0 × 31.0              | 7.8         | 51824<br>51105                              | 100  |                                 |     |     |
| 1.2<br>1.5   | 15.0 × 25.0 × 31.0              | 12.8        | 51125<br>51155                              | 100  |                                 |     |     |



Metallized Polyester Film Capacitors Vishay BCcomponents  
MKT Radial Potted Type

MAXIMUM RMS VOLTAGE (SINEWAVE) AS A FUNCTION OF FREQUENCY

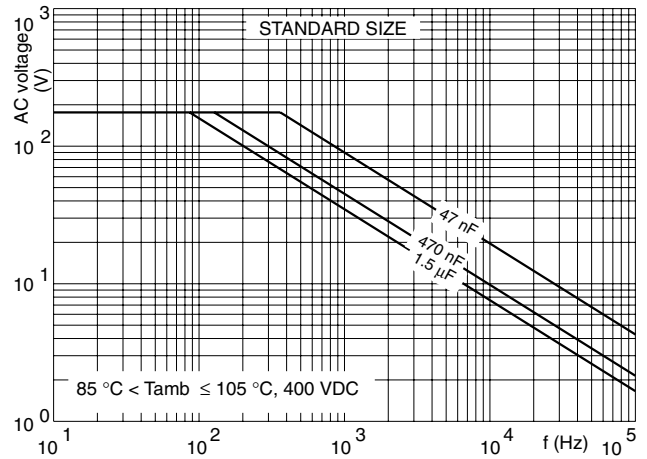
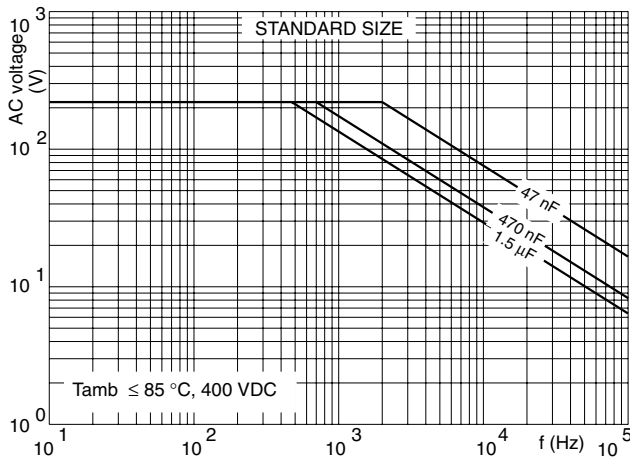




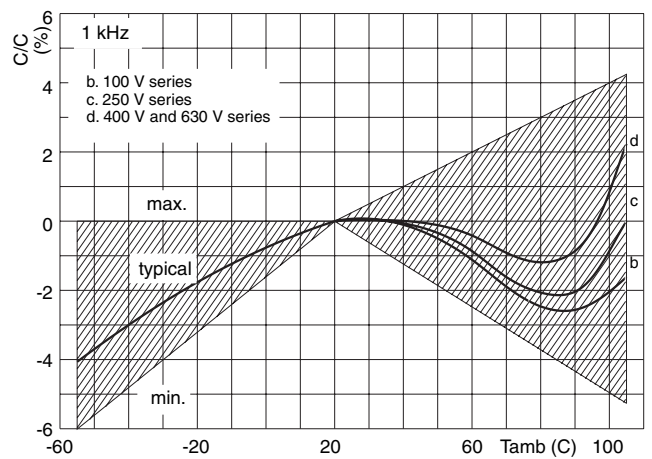
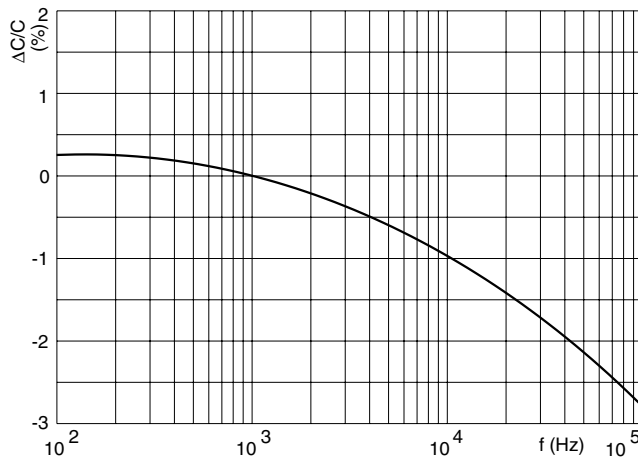




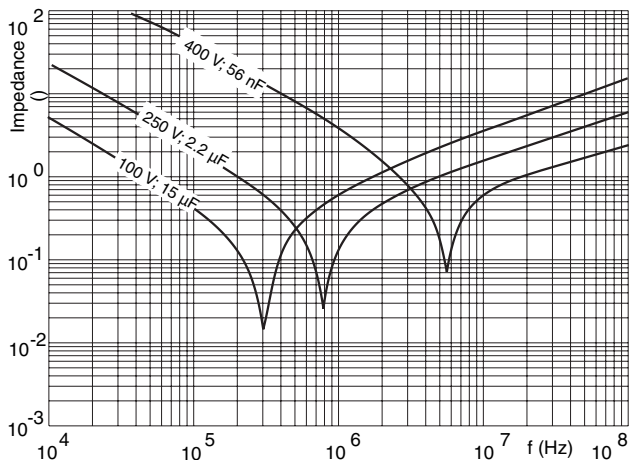
Metallized Polyester Film Capacitors Vishay BCcomponents  
MKT Radial Potted Type



CAPACITANCE



IMPEDANCE





## Notice

Specifications of the products displayed herein are subject to change without notice. Vishay Intertechnology, Inc., or anyone on its behalf, assumes no responsibility or liability for any errors or inaccuracies.

Information contained herein is intended to provide a product description only. No license, express or implied, by estoppel or otherwise, to any intellectual property rights is granted by this document. Except as provided in Vishay's terms and conditions of sale for such products, Vishay assumes no liability whatsoever, and disclaims any express or implied warranty, relating to sale and/or use of Vishay products including liability or warranties relating to fitness for a particular purpose, merchantability, or infringement of any patent, copyright, or other intellectual property right.

The products shown herein are not designed for use in medical, life-saving, or life-sustaining applications. Customers using or selling these products for use in such applications do so at their own risk and agree to fully indemnify Vishay for any damages resulting from such improper use or sale.