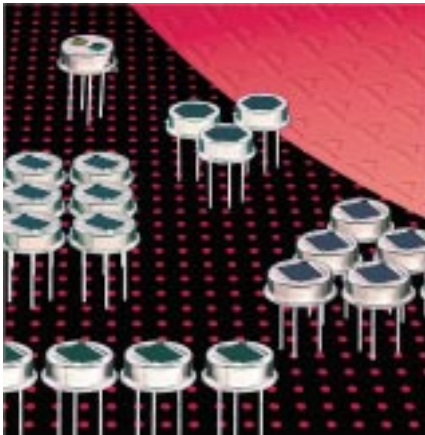


Pyroelectric Detector LHi 874/878

Dual Element configuration including FET and optical window

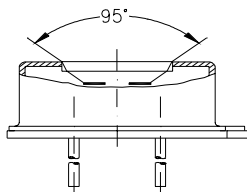


Dual Element Detector

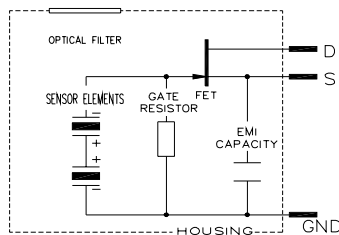
Universal Applications

The **LHi 874** and **LHi 878** pyroelectric infrared-detector series are the standard dual element design recommended for all variants of motion control. They include a dual element pyro-electric ceramic with FET in source follower connection.

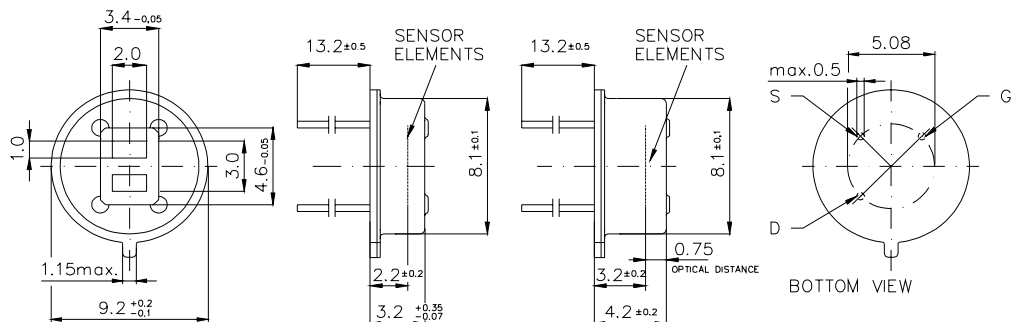
The **LHi 874** is available as **TO-39**, whereas **LHi 878** detector is available in **TO-5** housing with standard infrared filter. They both offer high responsivity with excellent common mode performance (match). For both variants RF improved options are available.



Field of View



Parameters	LHi 874/878				
	min	typical	max	units	condition
Element size	2x1		mm ²	(2 elements)	
Responsivity	3 300	4000	V/W	100°C, 1 Hz	
Match	1		%	10	
Noise	20		µVpp	25°C, 0,3...10Hz	
Offset Voltage	0,2	1,55	V	R _s =47kΩ, 25°C	
D*	5x10 ⁷	19x10 ⁷	cm √Hz/W	1Hz Bw,100°C, 1 Hz	
Output Impedance	5		kΩ	R _s =47kΩ, 25°C	
Operating Voltage	2	15	V	R _s =47kΩ, 25°C	
Field of View, horizontal	95		°	unobstructed	
vertical	90		°	unobstructed	
Operating Temperature	-40		°C	85 non permanent	
Storage Temperature	-40		°C	85 non permanent	



Europe:
PerkinElmer Optoelectronics
 GmbH & CoKG
 Wenzel Jaksch Str 31
 65199 Wiesbaden / Germany
 Phone +49(0)611 492 0
 Fax +49(0)611 492 170

USA:
PerkinElmer Optoelectronics
 44370 Christy Street
 Fremont, CA 94538-3180
 Phone +510 979 6500
 +800 775 6786
 Fax +510 687 1140

Asia: Dimensions in mm
PerkinElmer Optoelectronics
 47, Ayer Rajah Crescent #06-12
 Singapore 139947
 Phone +65 775 2022
 Fax +65 775 1008



Right for modification reserved / WS / 28.8.2003