



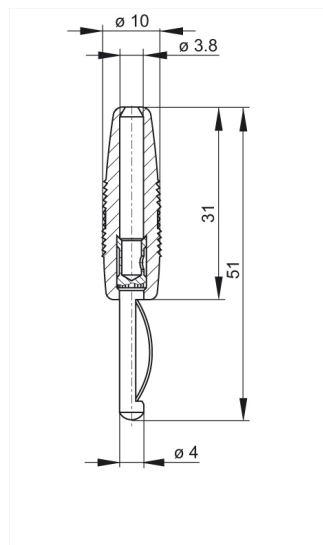
VON 30 schwarz/black

Industrial Connectors:Measuring and Testing Equipment:Plugs:4 mm system

Product description

Description	Fully mating connector, shatter-proof, flexible insulating sleeve. The tapering sleeve end also serves as kinking protection for the lead. Solder connection up to maximum cable cross-section of 2.5 mm ² . Nickel-plated brass contact material.
Type	VON 30 schwarz/black
Order No.	930 047-100
System	4 mm System
Housing Color	black
Other standard types	red color, order no. 930 047-101; blue color, order no. 930 047-102; yellow color, order no. 930 047-103; green color, order no. 930 047-104

Drawing



Technical data

Pin dimensions	4 mm
Type of contact	pin (spring loaded)
Type of termination	soldered
Rated voltage	DC 60 V
Rated current	30 A
Contact resistance	3 mOhm

Material

Contact material	brass
Contact surface material	nickel-plated
Housing material	PVC-P

Environmental conditions

Temperature range -25 °C to +70 °C

Inflammability class

Housing 94 V-2