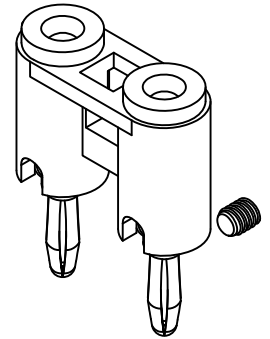
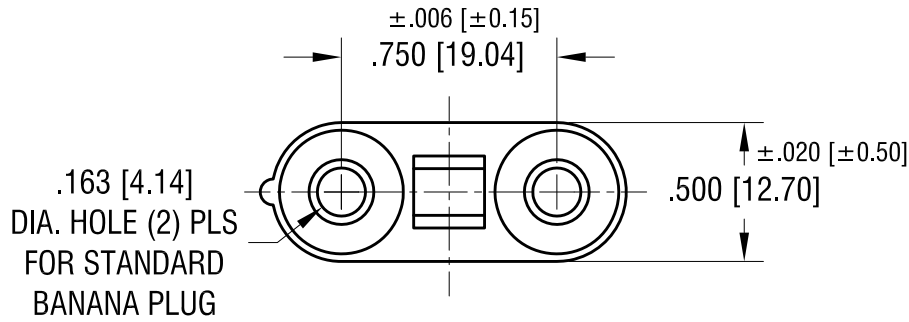
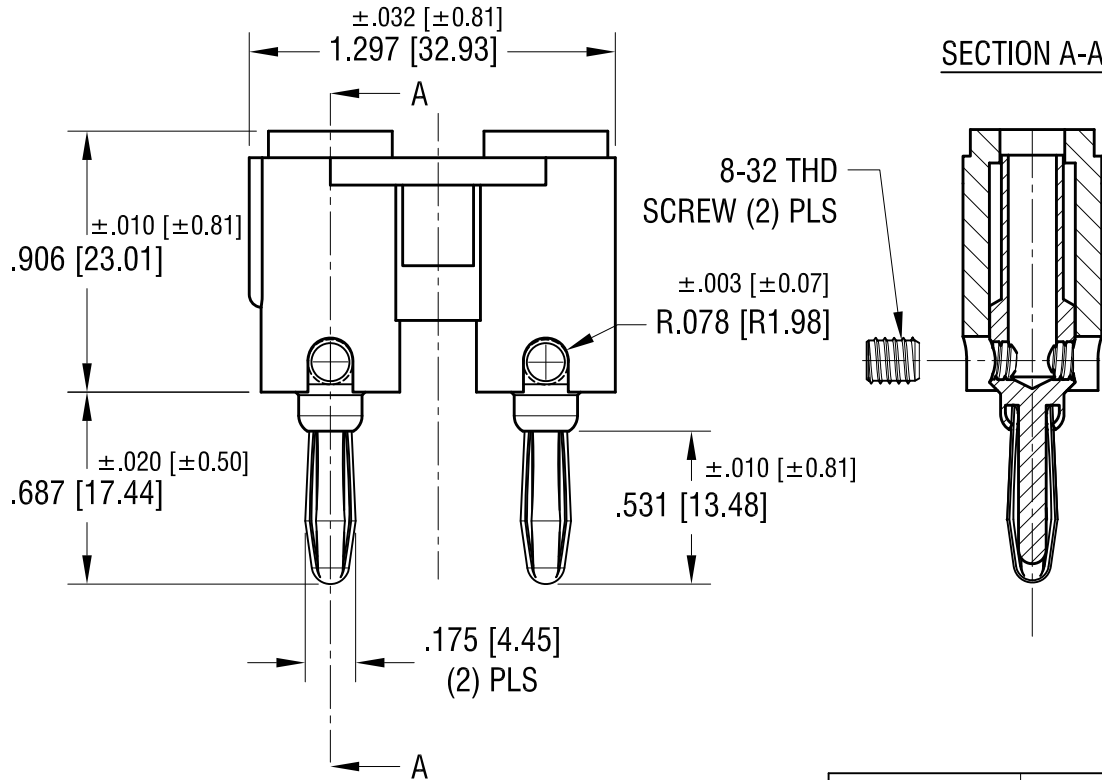


THIS DOCUMENT IS THE PROPERTY OF KEYSTONE ELECTRONICS CORP. AND SHALL NOT BE REPRODUCED, DISTRIBUTED OR USED AS A BASIS FOR MANUFACTURE WITHOUT PRIOR WRITTEN PERMISSION FROM KEYSTONE ELECTRONICS CORP.

ACTUAL SIZE



SECTION A-A



NOTES:

1. SPRING: MAT'L - NICKEL SILVER
2. BODY: MAT'L - BRASS
FINISH - NICKEL PLATE
3. HANDLE: MAT'L - NYLON
4. 8-32 SCREW : MAT'L- STEEL
FINISH - ZINC PLATE
SCREW SUPPLIED LOOSE

PART NO.	COLOR
6088	RED
6089	BLACK

DATE	DESCRIPTION	REV.
4.02.13	CHANGE AS PER ECN 130-033	A

KEYSTONE ELECTRONICS CORP.			
www.keyelco.com • ASTORIA, N.Y. 11105-2017 • Tel (718) 956-8900			
PART NAME		DUAL BANANA PLUG	
MATERIAL		AS NOTED	
FINISH		DRN BY	DATE
AS NOTED		NT	3.11.09
		APP'D	SCALE
		LN	1.5X
TOLERANCES	INCH [MM]	CODE	DWG NO.
DECIMAL	± .005 [± 0.13]	C	6088-6089
ANGULAR	± 1°		
UNLESS OTHERWISE SPECIFIED			