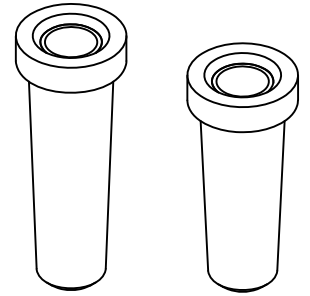
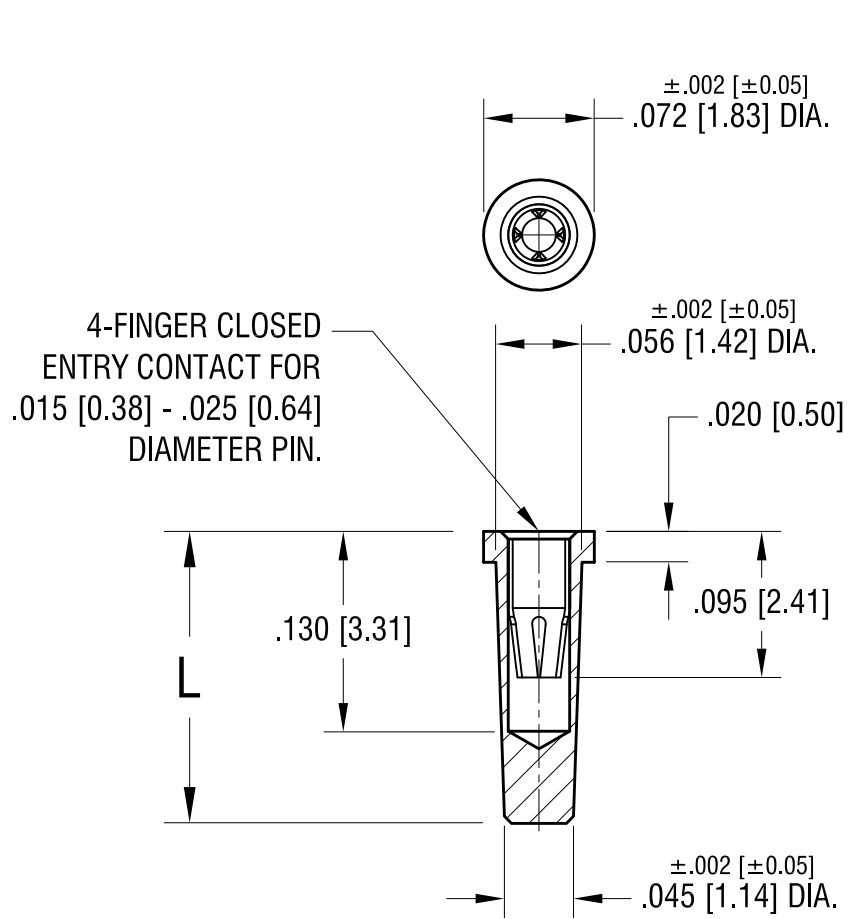


THIS DOCUMENT IS THE PROPERTY OF  
KEYSTONE ELECTRONICS CORP. AND  
SHALL NOT BE REPRODUCED, DISTRIBUTED  
OR USED AS A BASIS FOR MANUFACTURE  
WITHOUT PRIOR WRITTEN PERMISSION  
FROM KEYSTONE ELECTRONICS CORP.



NOTES:

1. BODY: MAT'L - BRASS  
SPRING CONTACT: MAT'L - BERYLLIUM COPPER
2. MOUNTING HOLE DIA.: .055 [1.40]

PART NO.	'L' DIM.
1435-1	.160 [4.06]
1435-2	.190 [4.83]

8.30.11	CHANGE AS PER ECN 11-119	A
DATE	DESCRIPTION	REV.

<b>KEYSTONE ELECTRONICS CORP.</b>			
www.keyelco.com • ASTORIA, N.Y. 11105-2017 • Tel (718) 956-8900			
PART NAME			
MICRO JACK, TAPER-FIT			
MATERIAL			
AS NOTED			
FINISH		DRN BY	DATE
TIN/LEAD PLATE		BOONE	2.15.07
		APP'D	SCALE
		LN	8X
TOLERANCES	INCH [MM]	CODE	DWG NO.
DECIMAL	± .005 [± 0.13]	C/M	<b>1435-1 - 1435-2</b>
ANGULAR	± 1°		
UNLESS OTHERWISE SPECIFIED			