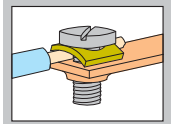


Modular Terminal Blocks with Screw Clamp Connection 2.5 mm²/AWG 14 Pin Spacings 5 mm / 0.197 in; 5.08 mm / 0.2 in; 10 mm / 0.394 in; Series 237



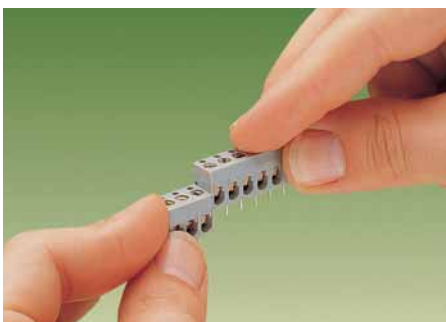
Pin spacing 5, 5.08, 10 mm / 0.197, 0.2, 0.394 in 0.5 – 2.5 mm ² AWG 20–14 250 V/2.5 kV/2, 16 A ① 150 V, 10 A ② 800 V/6 kV/2, 16 A ③ 300 V, 20 A ④ 5 – 7 mm / 0.24 in *	Pin spacing 5, 5.08, 10 mm / 0.197, 0.2, 0.394 in 0.5 – 2.5 mm ² AWG 20–14 250 V/2.5 kV/2, 16 A ① 150 V, 10 A ② 800 V/6 kV/2, 16 A ③ 300 V, 20 A ④ 5 – 7 mm / 0.24 in *	Pin spacing 5 mm, 10 mm / 0.197 in, 0.394 in 0.5 – 2.5 mm ² AWG 20–14 250 V/2.5 kV/2, 16 A ① 150 V, 10 A ② 800 V/6 kV/2, 16 A ③ 300 V, 20 A ④ 5 – 7 mm / 0.24 in *
---	---	--



No. of poles	Item No.	Pack.-unit pcs	No. of poles	Item No.	Pack.-unit pcs	No. of poles	Item No.	Pack.-unit pcs
Modular terminal blocks, grey			Modular terminal blocks, grey			Modular terminal blocks, grey		
2-pole, pin spacing 5 mm/0.197 in w. wire prot.	237-102	600 (6 x 100)	3-pole, pin spacing 5 mm/0.197 in w. wire prot.	237-103	400 (4 x 100)	6-pole, pin spacing 5 mm/0.197 in w. wire prot.	237-136	300 (3 x 100)
2-pole, pin spacing 5.08 mm/0.2 in w. wire prot.	237-132	600 (6 x 100)	3-pole, pin spacing 5.08 mm/0.2 in w. wire prot.	237-133	400 (4 x 100)			
1-pole, pin spacing 10 mm/0.394 in (part assembled) w. wire prot.	237-112	600 (6 x 100)	2-pole, pin spacing 10 mm/0.394 in (part assembled) w. wire prot.	237-113	400 (4 x 100)	3-pole, pin spacing 10 mm/0.394 in (part assembled) w. wire prot.	237-146	300 (3 x 100)

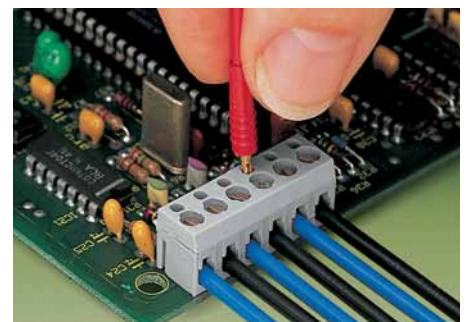
Accessories (marker strips see chapter 11)

Fixing element, snap-fit type, 5 mm/0.197 in wide, (for fixing screws M 2 x "L" DIN 84 or B 2.2 x "L" DIN 7971; "L" = approx. 10 mm/0.394 in for PCB thickness of 2 mm/0.079 in) 237-104 1000	Fixing element, snap-fit type, 5 mm/0.197 in wide, (for fixing screws M 2 x "L" DIN 84 or B 2.2 x "L" DIN 7971; "L" = approx. 10 mm/0.394 in for PCB thickness of 2 mm/0.079 in) 237-104 1000	Fixing element, snap-fit type, 5 mm/0.197 in wide, (for fixing screws M 2 x "L" DIN 84 or B 2.2 x "L" DIN 7971; "L" = approx. 10 mm/0.394 in for PCB thickness of 2 mm/0.079 in) 237-104 1000
---	---	---



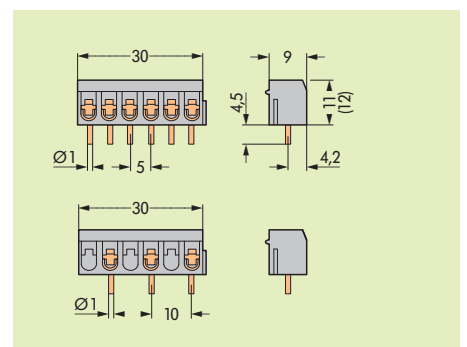
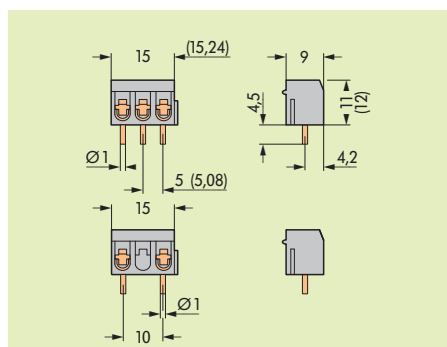
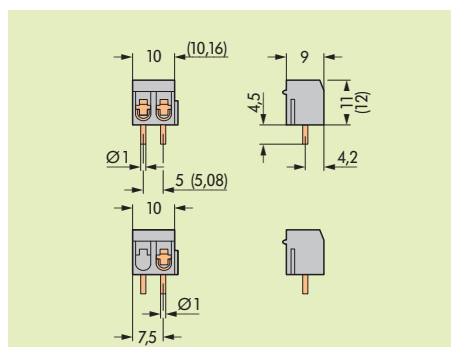
Assembling of modular terminal blocks

- ① pin spacings 5 mm/0.197 in and 5.08 mm/0.2 in
- ② pin spacing 10 mm/0.394 in



Testing with test plug 210-136

Dimensions (in mm) Diameter of drilled holes for solder pin: 1.2^{+0.1} mm



* Approvals with corresponding ratings see pages 12.3 ff.