


2J471B 2J471BG (DATASHEET)

Type	GNSS antenna
Frequencies	GPS (1575.42 MHz) GLONASS (1592 - 1610 MHz)
Mounting	Body Mount
Revision	00




P. Tipul


D. Noble

1. PRODUCT SELECTOR

2J471B GPS L1 band only
 2J471BG GPS/GLONASS version

2. SPECIFICATION

2.1. Electrical Specifications

Frequencies	GPS (1575.42 MHz) or GPS (1575.42 MHz)/ GLONASS (1592 - 1610 MHz)
Impedance	50 Ohms
Polarization	RHCP
LNA Gain	32 dB typ. (5V)
Voltage supply	1.8V to 5V
Current	5mA (1.8V), 13mA (3.3V), 25mA (5V)
Power (max.)	138mW Max.
Operating temperature	-40°C to +85°C

2.2. Connection Specifications

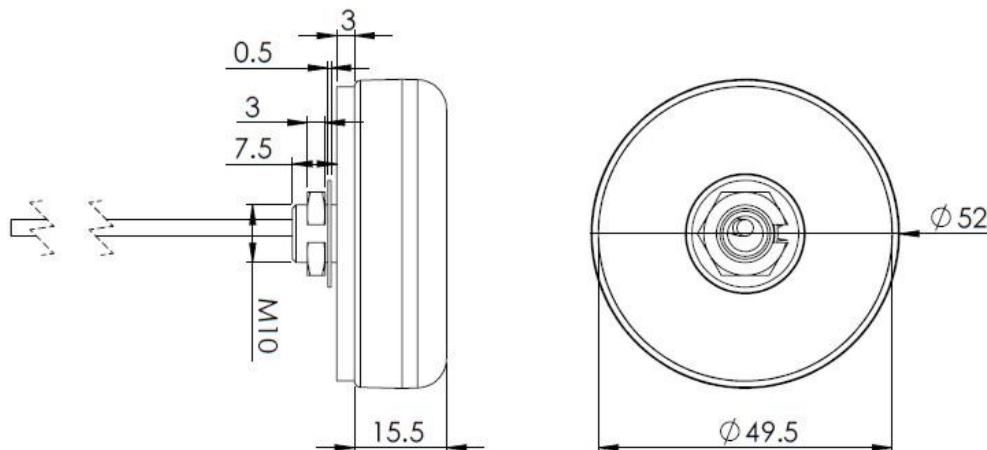
Connector type: SMA male
 Cable: RG174
 Cable length: 30 cm

For different cable length and connector type ask our sales team.

2.3. Mechanical Specifications and Dimensions

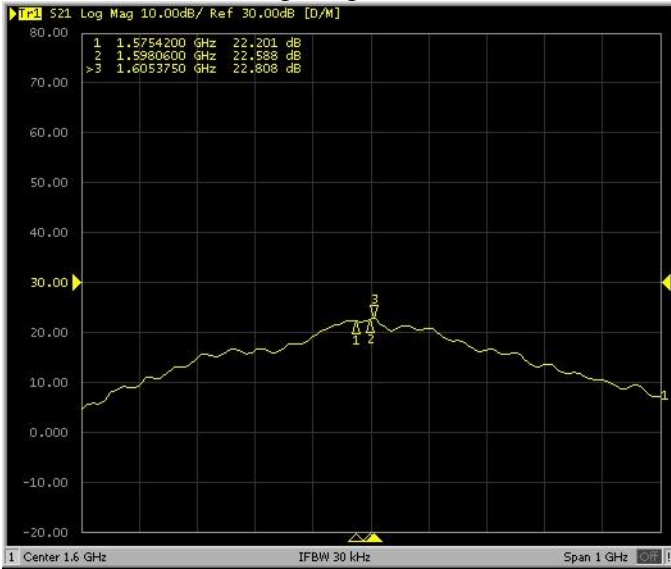
2.3.1. Body mount

Material: ABS
 Max. dimensions: 52mm x 26mm
 Colour: Black (for different colours please ask our sales team)

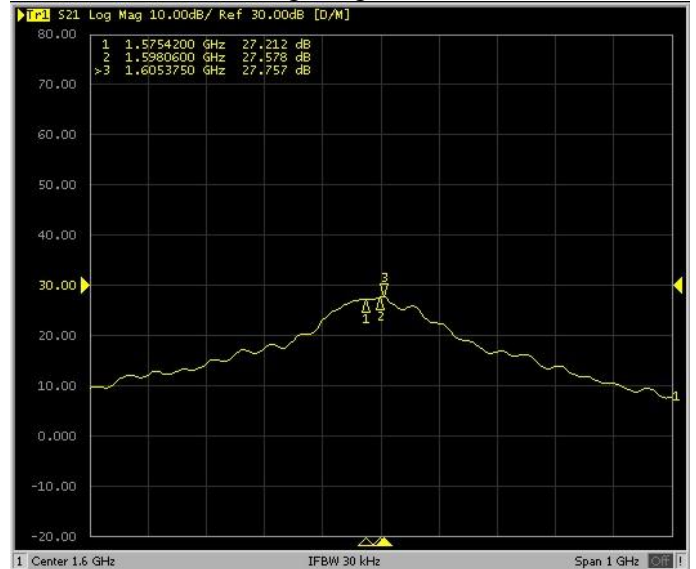


3. MEASUREMENT

Log Mag at 3V



Log Mag at 5V



4. IMAGES

