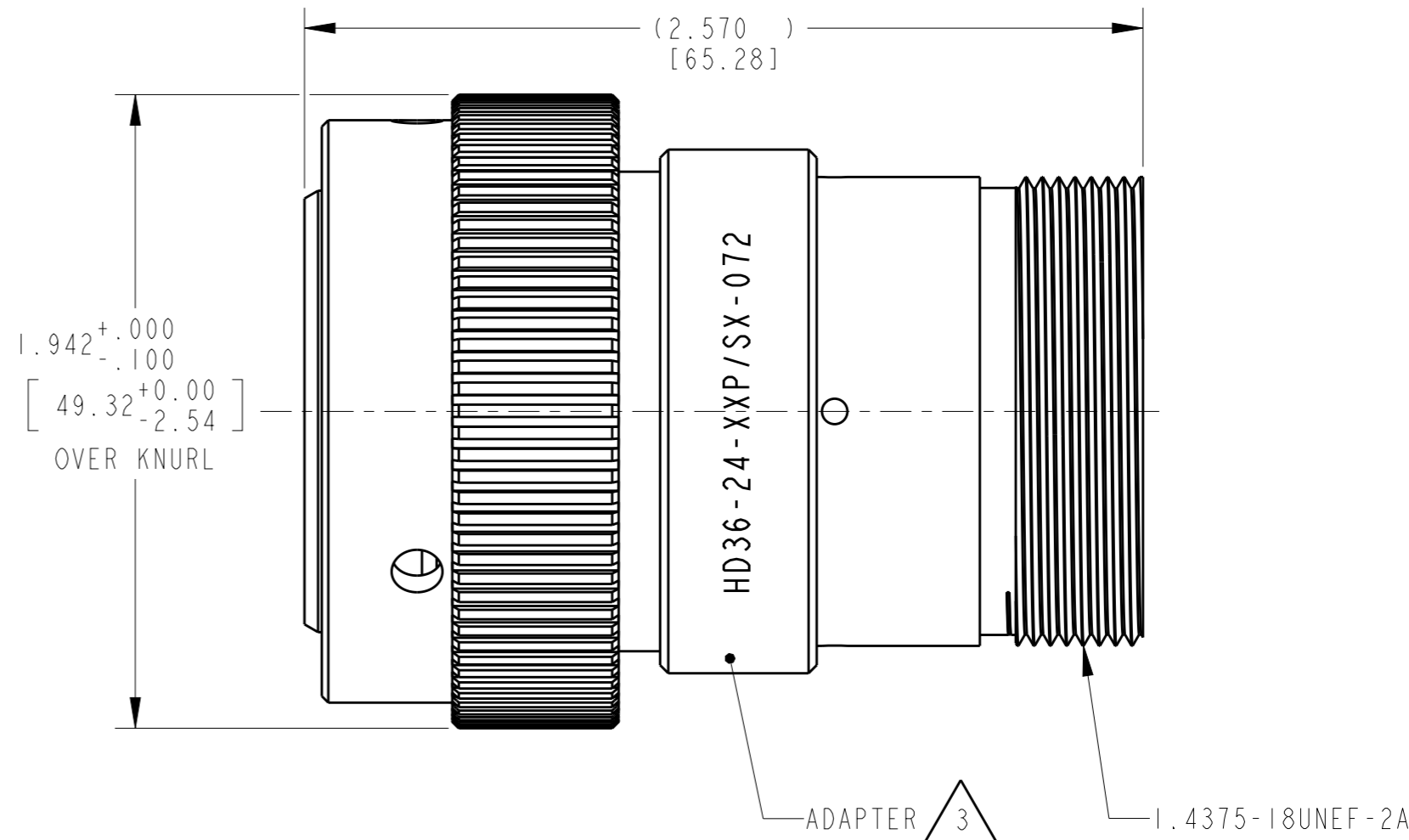
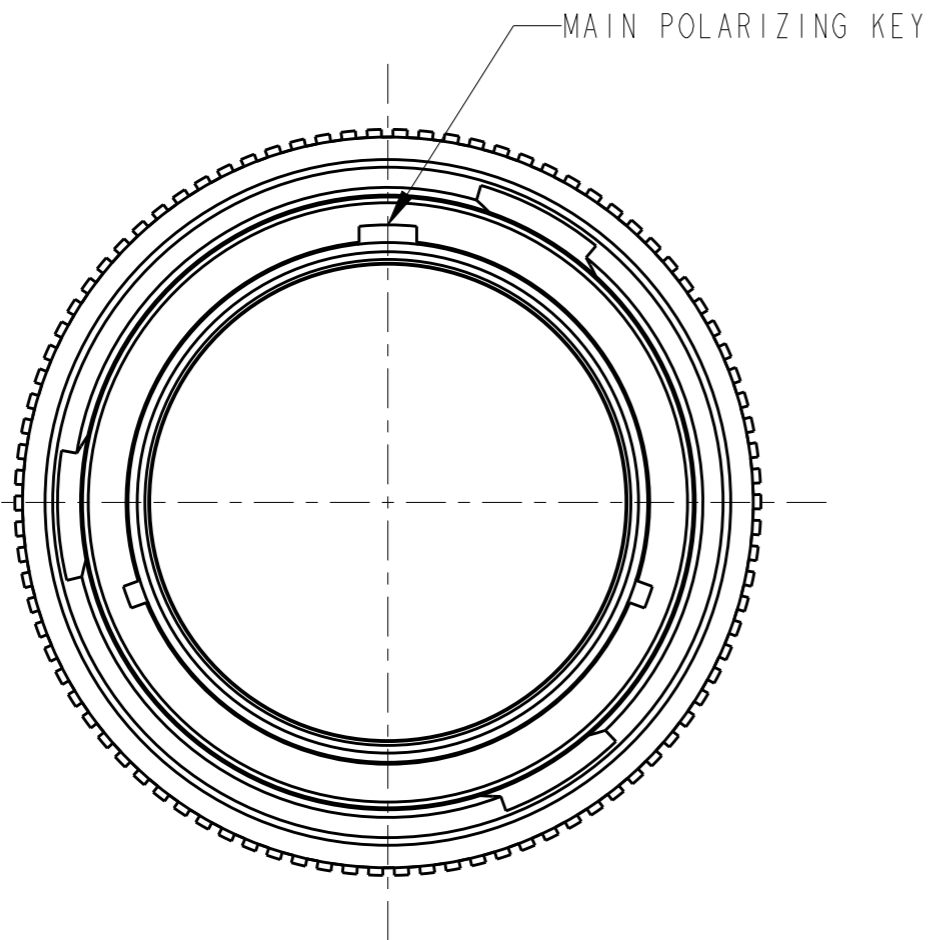


THIS DRAWING IS UNPUBLISHED
 RELEASED FOR PUBLICATION 2015
 © COPYRIGHT 2015 BY TE CONNECTIVITY ALL RIGHTS RESERVED.

LOC		DIST		REVISIONS			
P	LTR	DESCRIPTION	DATE	DWN	APVD		
-	-	NC	NEW RELEASE PER E.O. P19972	14AUG2008	-	RDR	
		A	REVISED PER E.O. P21009	19JUL2011	-	RDR	
		A1	REVISED PER ECO-15-001798	19MAR2015	PV	DM	
		A2	REVISED PER PCN :E-17-011464	18AUG2017	DD	DM	



3D VIEW



3. MATERIAL:
 PLUG HOUSING: AL 6000 SERIES
 ADAPTER: AL 6000 SERIES

2. THE CONNECTOR MATES WITH HD34-24-XXS/PX-XXXX
 X = SEAL DESIGNATION, XX = NUMBER OF CAVITIES,
 XXXX = MODIFICATION DESIGNATION.

1. FOR ARRANGEMENT OF CONTACT LOCATION SEE DRAWING 0425-014-2400.

NOTES:

THIS DRAWING IS A CONTROLLED DOCUMENT.		DWN I. GRANTCHAROVA 30 JUL 2008		
DIMENSIONS: INCHES [mm]		CHK B. BAYFORD 14 AUG 2008		
TOLERANCES UNLESS OTHERWISE SPECIFIED:		APVD S. BEARD 12 AUG 2008	NAME PLUG CONNECTOR, SHELL SIZE 24 BAYONET COUPLING, MOD -072 HD30 SERIES	
		PRODUCT SPEC 0425-016-0000	SIZE A3	CAGE CODE -
		APPLICATION SPEC 0425-015-0000	DRAWING NO HD36-24-XXP/SX-072	RESTRICTED TO -
MATERIAL SEE NOTE	FINISH -	WEIGHT -	SCALE :	
		Customer Drawing	SHEET 1	OF 1
			REV A2	