

## Steca Solsum ESL

### 5 W, 7 W, 11 W / 12 V energy-saving lights

The electronics of these 12 V DC energy-saving compact fluorescent lamps (CFLs) was developed by Steca and continuously improved.

Preheating, a high electronic efficiency and low thermal losses increase the service life of these CFLs to about 100,000 switch cycles. The Steca energy-saving lights feature a much higher efficiency (lm/W) than LEDs or incandescent bulbs.

#### Product features

- Brightness of 11 W CFL is comparable with a 60 W incandescent bulb
- Saves up to 80 % of energy compared to an incandescent bulb
- Greatest switch cycle stability
- Best reliability
- Easy to install by a E27 or bayonet socket
- Compact and robust product design

#### Electronic protection functions

- Reverse polarity protection

#### Certificates

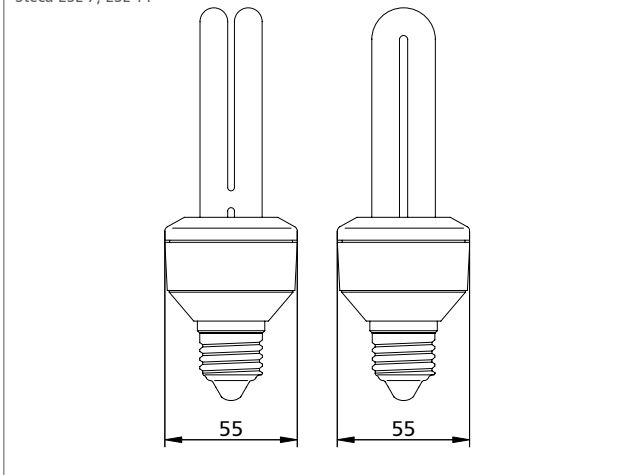
- Approved by the World Bank for China and Sri Lanka
- Compliant with European Standards (CE)
- Developed in Germany
- Manufactured according to ISO 9001 and ISO 14001



5 W...11 W



Steca ESL 7, ESL 11



	ESL 5	ESL 7	ESL 11
<b>Characterisation of the operating performance</b>			
Nominal voltage	12 V		
Nominal power	5 W	7 W	11 W
Rated current	420 mA	580 mA	920 mA
Luminous flux	250 lm	370 lm	650 lm
Luminous efficiency	50 lm / W	52 lm / W	60 lm / W
Life span	> 9,000 h		
Switching cycles	100,000		
<b>DC input side</b>			
Input voltage	10 V ... 15 V		
<b>Operating conditions</b>			
Ambient temperature	-20 °C ... +50 °C		
<b>Fitting and construction</b>			
Dimensions (X x Y x Z)	123 x 55 mm	133 x 55 mm	163 x 55 mm
Weight	125 g		135 g
Socket	E27 / bayonet		
Light colour	cool white (6,400K) / warm white (2,700K)		

Technical data at 25 °C / 77 °F

Areas of application:

