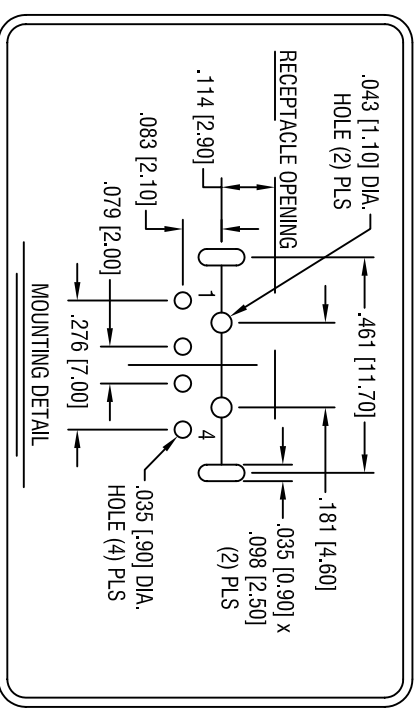
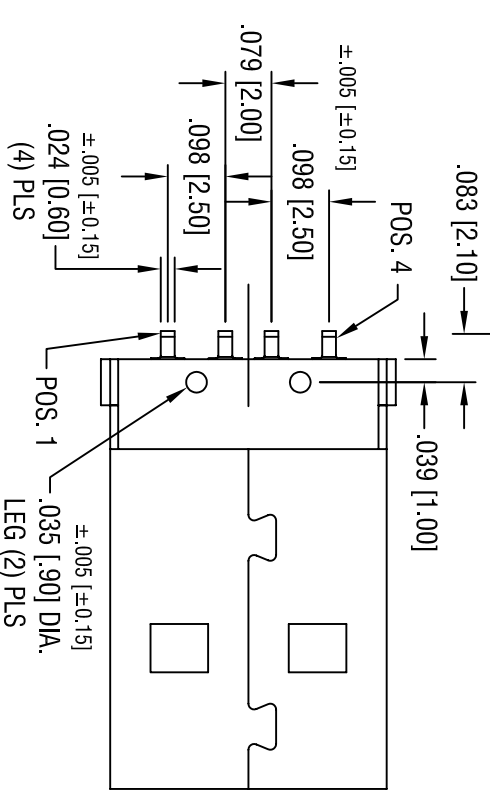
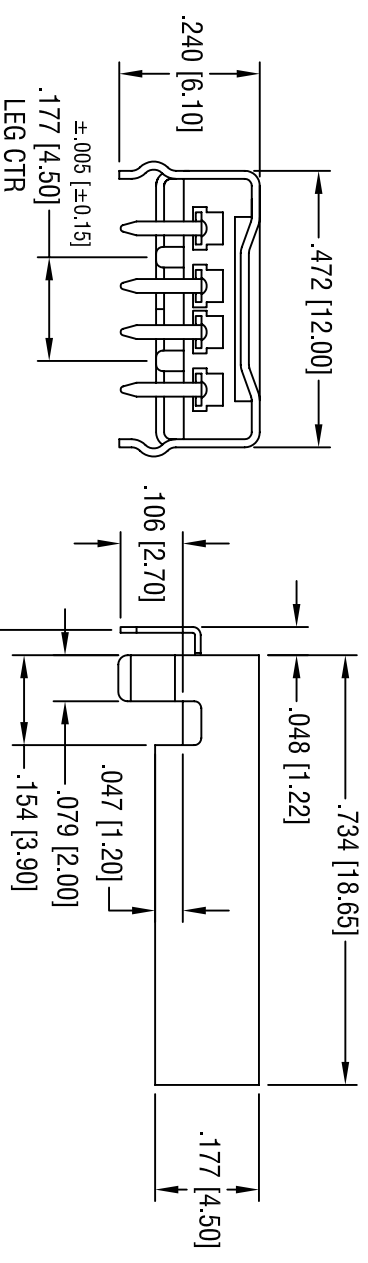


DATE	DESCRIPTION	REV.



Notes:

Shell: Steel, Nickel Plate.

Insulator: Matl: Thermoplastic
UL 94V-0

Contacts: Matl: Phosphor Bronze
Finish: Gold Plate over
Nickel Plate on
Contact Area.
Tin Plate over
Nickel Plate
on Solder Tail.

Electrical Specifications
Rated Voltage:
30V AC (rms)

Contact Current Rating:
1A Max.

Contact Resistance:
30 milliohms Max.

Dielectric Withstanding:
500V AC

Operating Temperature:
-20°C to 85°C

KEYSTONE ELECTRONICS CORP.			
ASTORIA, N.Y. 11105-2017			
PART NAME		USB A-TYPE HORIZONTAL PC PLUG	
MATERIAL		AS NOTED	
FINISH		AS NOTED	
TOLERANCES	INCH	[MM]	CODE
DECIMAL	± .010	[± 0.25]	C/M
ANGULAR	± 1°		
UNLESS OTHERWISE SPECIFIED			
DRN BY	BOONE	DATE	6.13.06
App'D	LN	SCALE	3X
DWG NO.		932	

THIS DOCUMENT IS THE PROPERTY OF
KEYSTONE ELECTRONICS CORP. AND
SHALL NOT BE REPRODUCED, DISTRIBUTED
OR USED AS A BASIS FOR MANUFACTURE
WITHOUT PRIOR WRITTEN PERMISSION
FROM KEYSTONE ELECTRONICS CORP.