

Connector; for EIB applications

Item No.: 243-212



Connector; for EIB applications

Marking

RoHS ✓
Compliant

Business data

Supplier	WAGO
Item no.	243-212
GTIN / EAN	4044918441407
Content	1
Order amount	50
Customer item number	

Notes

Item description: Compact, 4-conductor EIB connector with PUSH WIRE® Simple push-in termination for solid conductors 4-conductor entry allows devices to be replaced without disrupting the EIB bus connection

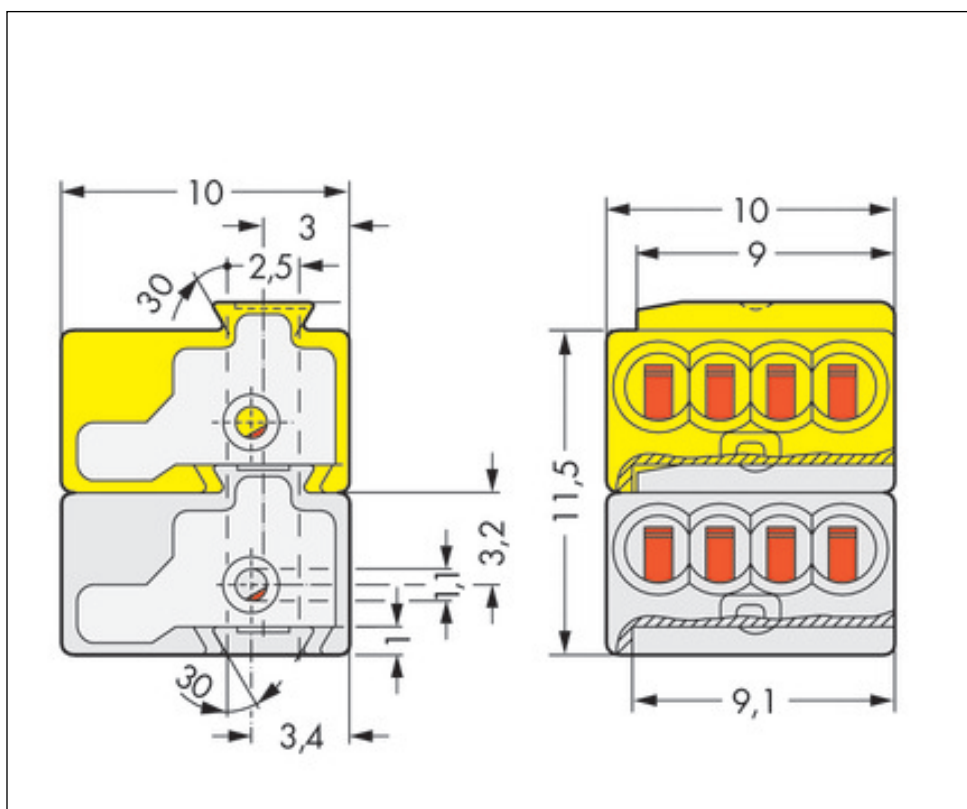
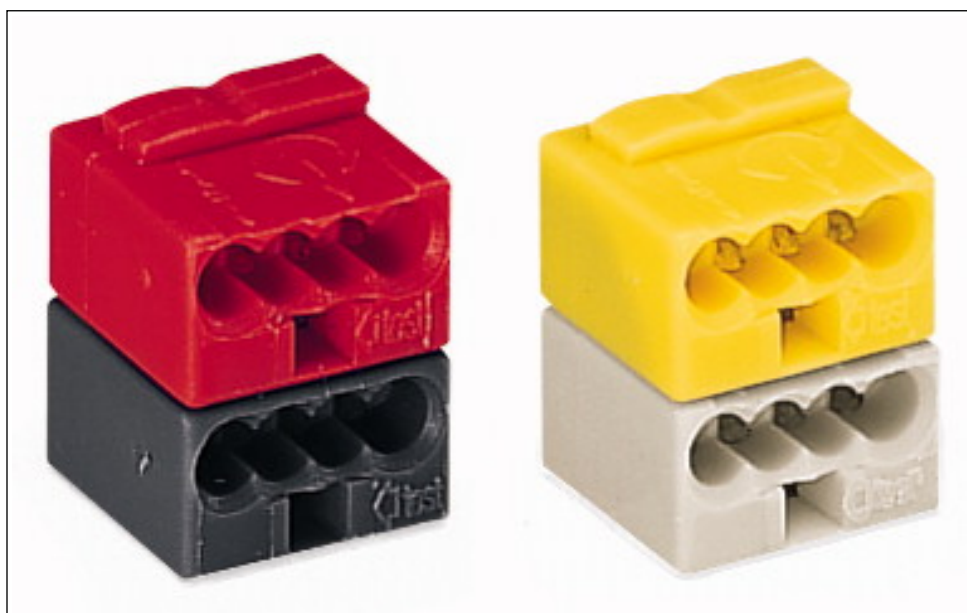
Technical data

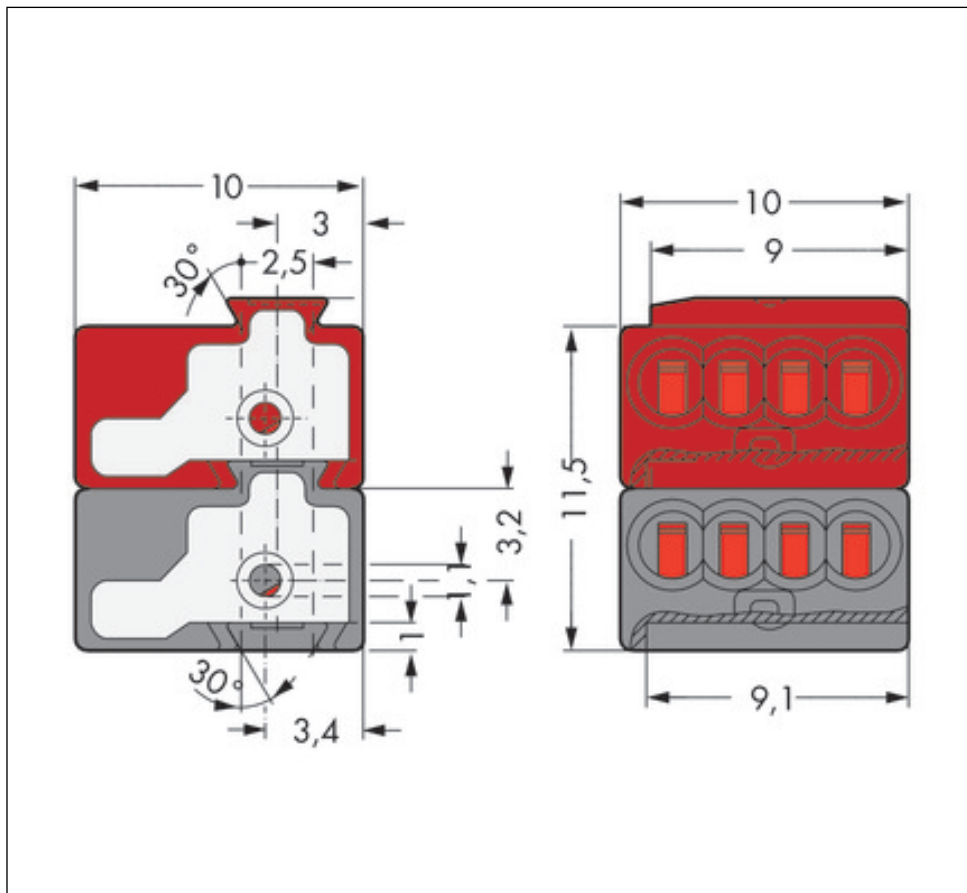
Miscellaneous

No. of poles	2
Total number of connection points	8
Total number of potentials	2
Color	light gray/yellow
Ratings according to 1	IEC/EN 60664-1
Rated voltage (III / 3) [V]	250 [V]
Rated surge voltage (III / 3) [kV]	4 [kV]
Rated voltage (III / 2) [V]	100 [V]

Technical data	
<i>Nominal current [A]</i>	<i>6 [A]</i>
<i>Number of individual connection objects at the product</i>	<i>1</i>
<i>Number of levels</i>	<i>1</i>
<i>Connection technology</i>	<i>PUSH WIRE®</i>
<i>Number of connection points</i>	<i>4</i>
<i>Strip length</i>	<i>5 ... 6 mm / 0.2 ... 0.24 in</i>
<i>Conductor diameter min. (1) [mm]</i>	<i>0.6 [mm]</i>
<i>Conductor diameter max. (1) [mm]</i>	<i>0.8 [mm]</i>
<i>Conductor diameter max. (2) [mm]</i>	<i>1 [mm]</i>
<i>Strip length (1) [in]</i>	<i>0.22 [in]</i>
<i>Material group</i>	<i>I</i>
<i>Insulating material</i>	<i>Polyamide 66 (PA 66)</i>
<i>Flammability rating per UL 94</i>	<i>V0</i>
<i>Limit temperature range</i>	<i>-60 ... 105 C</i>
<i>Clamping spring material</i>	<i>Chrome-nickel spring steel (CrNi)</i>
<i>Contact material</i>	<i>Electrolytic copper (Ecu)</i>
<i>Contact plating</i>	<i>tin-plated</i>
<i>Fire load [MJ]</i>	<i>0.024 [MJ]</i>
<i>Weight [g]</i>	<i>1.517 [g]</i>
<i>Width</i>	<i>10 mm / 0.394 in</i>
<i>Height</i>	<i>11.5 mm / 0.453 in</i>
<i>Length</i>	<i>10 mm / 0.394 in</i>

Images & drawings





Address

WAGO Kontakttechnik GmbH & Co. KG

Hansastr. 27

32423 Minden

Telefon: 0571/887-0

Fax: 0571/887-169

<http://www.wago.com>

© WAGO Kontakttechnik GmbH & Co. KG

Technische Änderungen und Irrtümer vorbehalten.